




1-800-283-6266
 Phone: (713) 466-1449 Fax: (713) 466-1703
 E-Mail: customerservice@enconsafety.com

COMBINATION SHOWER/EYEWASH

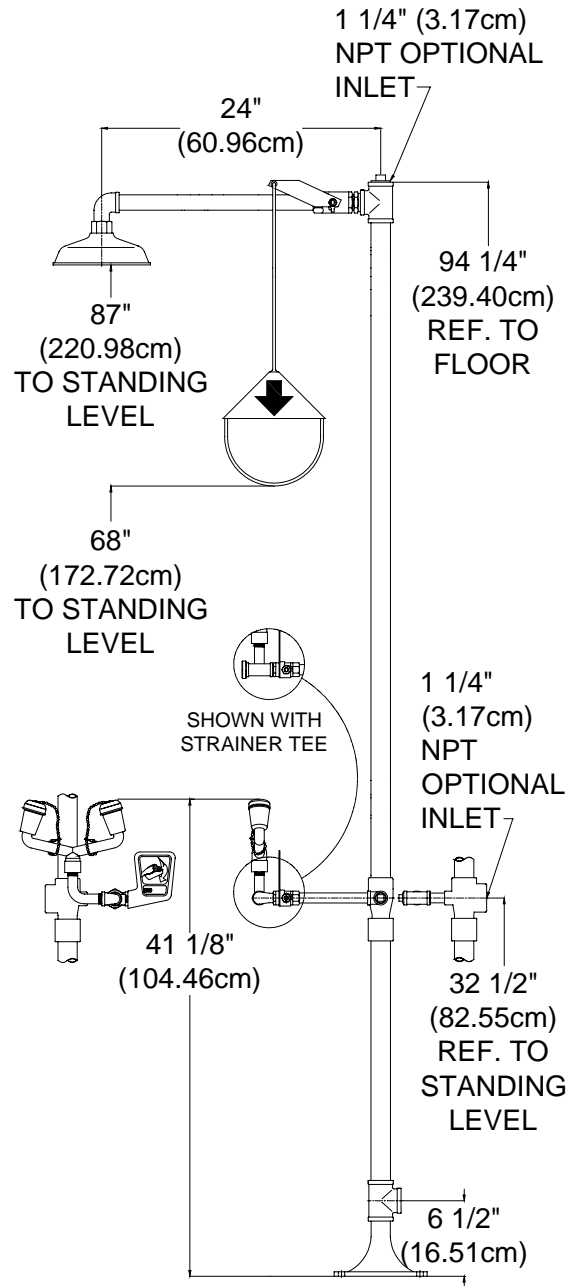
PART NUMBER: 01050205

SPECIFICATION:

Third party certified to ANSI Z358.1, the combination shower and eyewash unit shall deliver 30 gpm (113.6 lpm) @ 30/70 psi (206.8/482.6 kPa) of flowing pressure from the showerhead and 3.2 gpm (12.1 lpm) @ 30/70 psi (206.8/482.6 kPa) of flowing pressure from the eyewash. Unit shall provide a non-injurious stream of water for 15 minutes or longer. Combination unit shall be supplied with chrome plated (CP) bronze single motion activation stay open ball valves with CP balls. Valve sizes: shower 1", eyewash 1/2". Unit shall include SS actuators with actuation graphics, schedule 80 hot dip galvanized steel piping and 1 1/4" supply/drain connection with flanged floor mounting plate for free-standing installation. Shower head shall be supplied with self-adjusting 30 gpm (113.6 lpm) regulator. Eyewash to be supplied self-adjusting 3.2 gpm (12.1 lpm) regulator to assure a constant and even dual stream flow pattern under 30/70 psi (206.8/482.6 kPa) hydraulic conditions. Shower head to be manufactured of UV resistant high visibility yellow ABS plastic. Shower head must deliver a minimum of 20" (50.8cm) diameter pattern to the target area 60" (152.4cm) above standing level. Eyewash heads with float off covers to be manufactured of UV resistant ABS plastic. Float off covers are secured with stainless steel bead chains and provided to inhibit dust and/or contamination when not in use. Combination units that provide improper flow pattern or contain deteriorating screens/filters are not acceptable. Combination unit shall be Encon Safety Products Model 01050205. If optional in-line strainer tee required, unit shall be Model 01050283. For stainless steel piping with SS valve and ball, unit shall be Model 01050220.

MATERIALS OF CONSTRUCTION:

- PIPING:** Schedule 80 hot dip galvanized steel.
- VALVES:** Chrome plated bronze stay open ball valves with chrome plated balls, stainless steel valve stems, stainless steel push plate with actuation graphic (eyewash) and stainless steel pull rod assembly with actuation graphic (shower). Valve sizes: shower 1", eyewash 1/2". Strainer Tee Option: 1/2" BCP, 16 mesh
- SHOWER HEAD:** Yellow ABS plastic shower head.
- EYEWASH HEAD:** ABS plastic dual stream head with ABS plastic float off covers secured with stainless steel bead chains.
- REGULATORS:** Self-adjusting 30 gpm (113.6 lpm) shower and 3.2 gpm (12.1 lpm) eyewash regulators.
- SUPPLY:** 1 1/4" NPT
- WEIGHT:** 48 lbs (21.77 kgs)



MODEL #	DESCRIPTION
01050205	Unit as Specified
01050283	With strainer tee
01050220	Less strainer tee, with SS piping, SS valves