



1-800-283-6266

Phone: (713) 466-1449 Fax: (713) 466-1703

E-Mail: customerservice@enconsafety.com



COMBINATION SHOWER/ EYEWASH WITH SS PIPING AND YELLO-BOWL® PART NUMBER: 01050223

SPECIFICATION:

Third party certified to ANSI Z358.1, the combination shower and eyewash unit shall deliver 30 gpm (113.6 lpm) @ 30/70 psi (206.8/482.6 kPa) of flowing pressure from the shower head and 3.2 gpm (12.1 lpm) @ 30/70 psi (206.8/482.6 kPa) of flowing pressure from the eyewash. Unit shall provide a non-injurious stream of water for 15 minutes or longer. Combination unit shall be supplied with stainless steel (SS) single motion activation stay open ball valves with SS balls. Valve sizes: shower 1", eyewash 1/2". Unit shall include SS actuators with actuation graphics, type 304 schedule 40 stainless steel piping and 1 1/4" supply/drain connection with flanged floor mounting plate for free-standing installation. Shower head shall be supplied with self-adjusting 30 gpm (113.6 lpm) regulator. Eyewash to be supplied with 3.2 gpm (12.1 lpm) regulator to assure a constant and even dual stream flow pattern under 30/70 psi (206.8/482.6 kPa) hydraulic conditions. Shower head to be manufactured of UV resistant high visibility yellow ABS plastic. Shower head must deliver a minimum of 20" (50.8cm) diameter pattern to the target area 60" (152.4cm) above standing level. Eyewash heads with float off covers to be manufactured of UV resistant ABS plastic mounted in high visibility ABS Yello-Bowl®. Float off covers are secured with stainless steel bead chains and provided to inhibit dust and/or contamination when not in use. Combination units that provide improper flow pattern or contain deteriorating screens/filters are not acceptable. Combination unit shall be Encon Safety Products Model 01050223.

MATERIALS OF CONSTRUCTION:

PIPING: Type 304 schedule 40 stainless steel.

VALVES: Stainless steel stay open ball valves with stainless steel balls, stainless steel push plate with actuation graphic (eyewash) and stainless steel pull rod assembly with actuation graphic (shower).

Valve size: shower 1", Eyewash 1/2".

SHOWER HEAD: Yellow ABS plastic shower head delivers a minimum of 20" (50.8cm) diameter pattern to the target area 60" (152.4cm) above standing level.

EYEWASH HEAD: ABS plastic dual stream heads with ABS plastic float off covers secured with stainless steel bead chains.

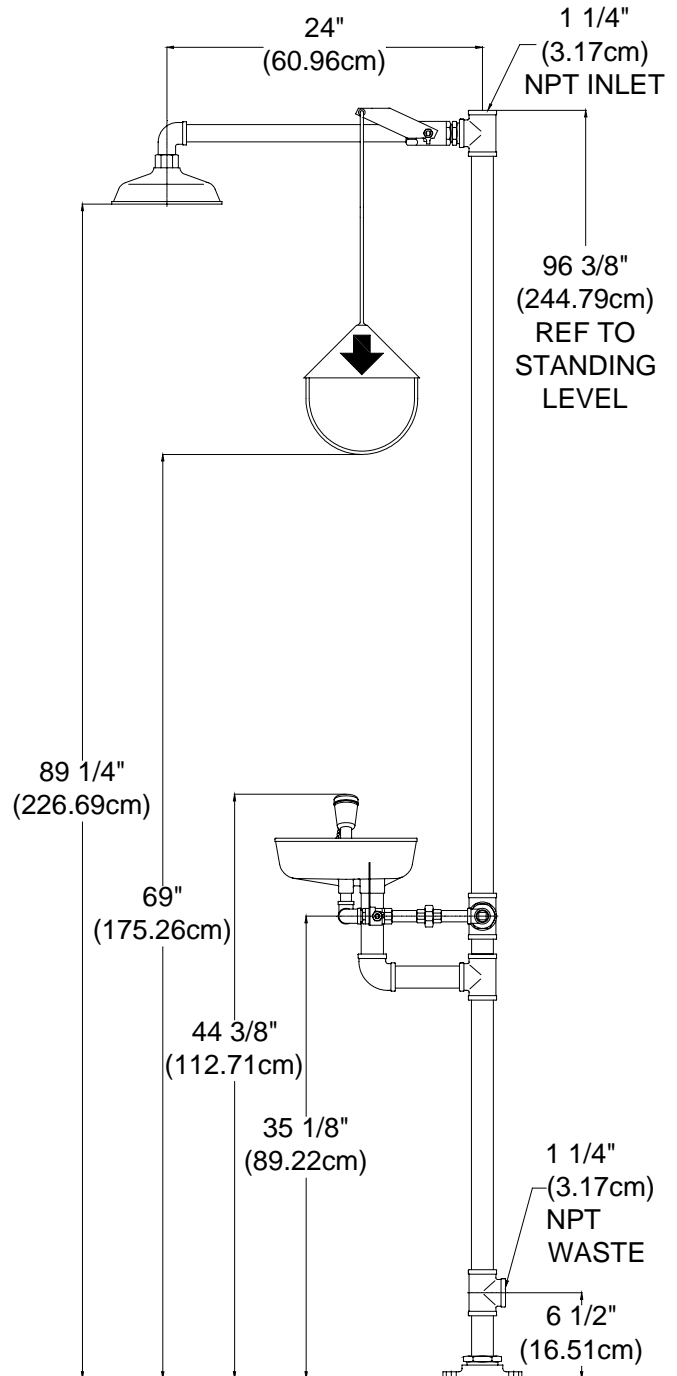
BOWL: High visibility ABS plastic Yello-Bowl®.

REGULATOR: Self-adjusting 30 gpm (113.6 lpm) shower and 3.2 gpm (12.1 lpm) eyewash regulators.

SUPPLY: 1 1/4" NPT

WASTE: 1 1/4" NPT

WEIGH: 59 lbs (26.76 kgs)



MODEL #	DESCRIPTION
01050223	Unit as Specified