

**Encon**<sup>®</sup>  
**SAFETY PRODUCTS**  
**1-800-283-6266**  
 Phone: (713) 466-1449 Fax: (713) 466-1703  
 E-Mail: customerservice@enconsafety.com



**REMOTE ALARM CAPABLE  
 FLOW SWITCH  
 PART NUMBER: 02100000**

**SPECIFICATION:**

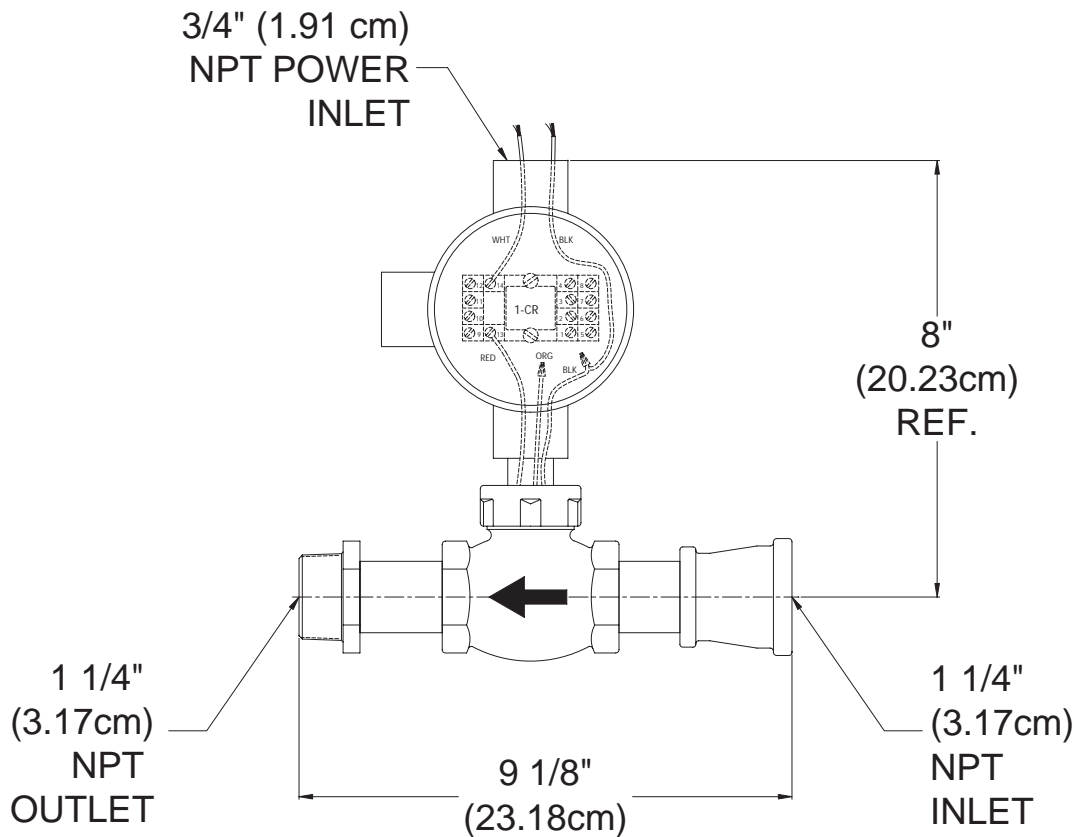
Encon Safety Products flow switch shall provide an electric switch connection when water flow is present. The switch shall detect flow through the piping when the emergency assembly is activated. This signal can be used to turn on an audible alarm or light. Switch to be remote alarm capable (RAC). Flow switch shall be Encon Safety Products Model 02100000.

**SYSTEM FEATURES:**

**ACTUATION DEVICE:** Flow switch includes relay rated @ 3 amps, 120 VAC, 60 Hz. Horizontal or vertical position acceptable. 1/4" NPT water connection. 3/4" electrical conduit inlet.

**REMOTE CAPABILITY:** Spare "dry" contacts (N.O./N.C.) included.

**ELECTRICAL CLASSIFICATION:** Class 1 DIV 2 Group B, C & D, 120VAC. CSA approved.



MODEL #	DESCRIPTION
02100000	Unit as Specified