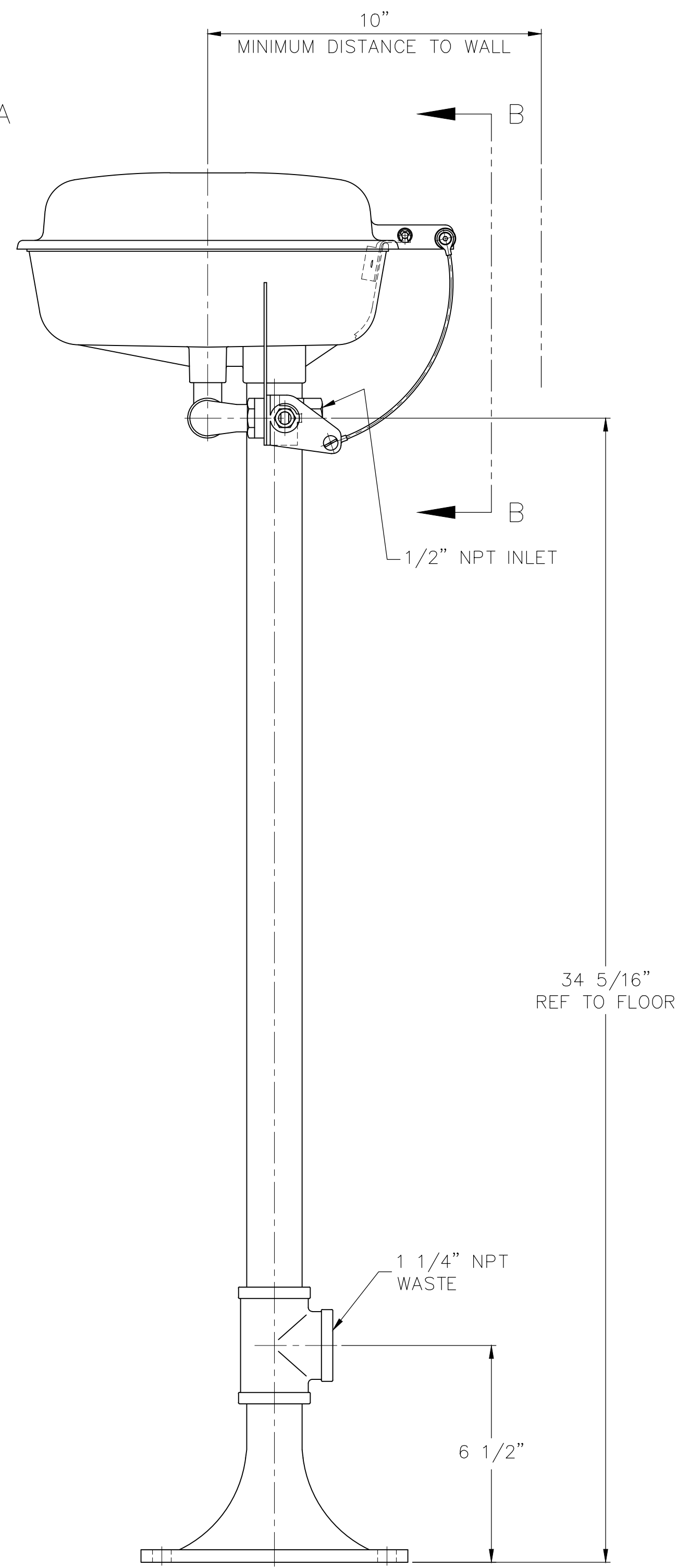
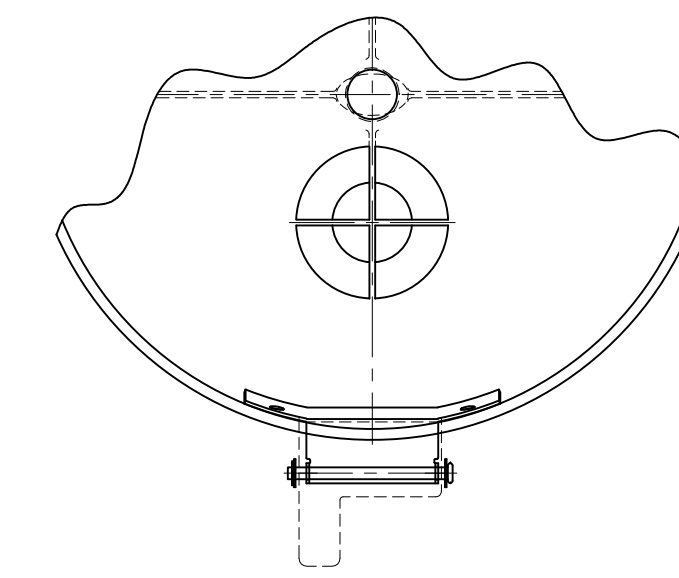


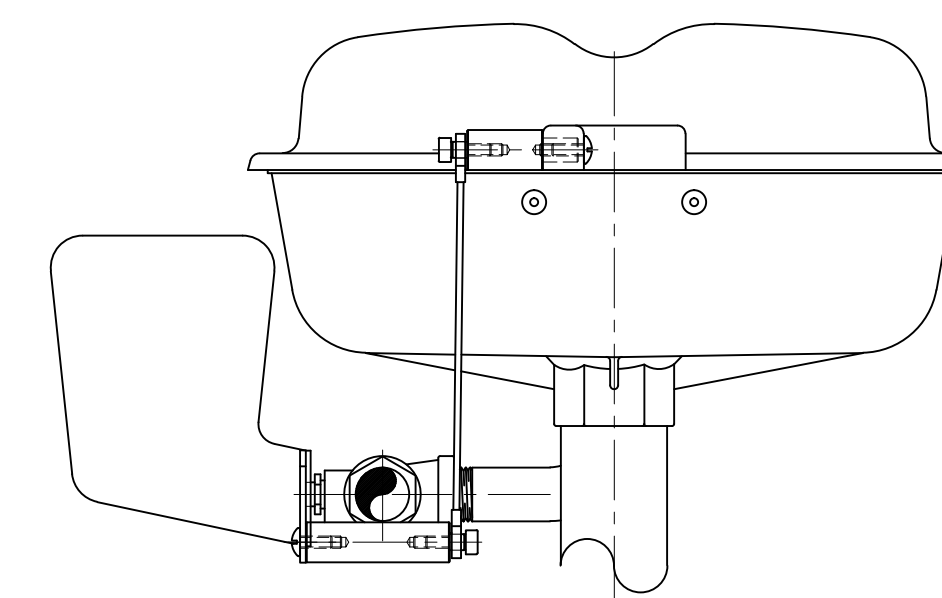
FRONT VIEW



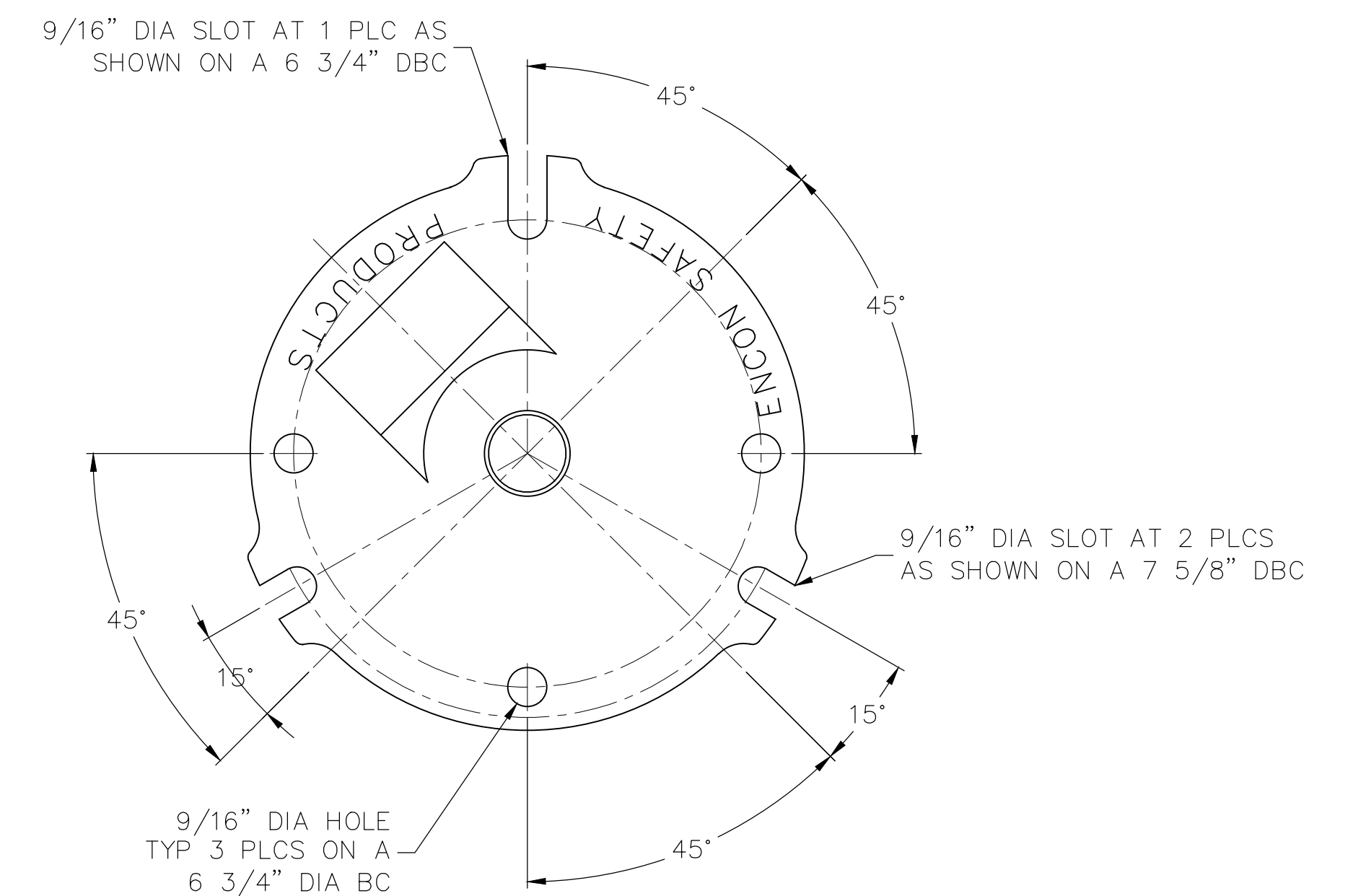
VIEW A-A



TOP VIEW OF HINGE AREA



VIEW B-B



FLOOR FLANGE DETAIL
SCALE: 1/2

Encon SAFETY PRODUCTS <small>THIS DRAWING & ALL INFORMATION CONTAINED HEREIN IS THE SOLE & EXCLUSIVE PROPERTY OF ENCON SAFETY PRODUCTS CO. REPRODUCTION IN WHOLE OR IN PART WITHOUT THE EXPRESSED WRITTEN AUTHORIZATION FROM ENCON IS FORBIDDEN.</small>	<small>6825 W. SAM HOUSTON PARKWAY N. HOUSTON, TEXAS 77041 PHONE: (713) 466-1449 FAX: (713) 466-1819</small>	<small>STANDARD TOLERANCES UNLESS OTHERWISE SPECIFIED XXX DECIMALS ±.005 FRACTIONS ± 1/32" XX DECIMALS ±.015 RADIUS CORNERS 1/16" X DECIMALS ±.030 ANGLES ± 1' BREAK ALL EDGES .010/.015</small>	<small>SPECIAL NOTES: SPECIAL TOLERANCES:</small>	<small>TITLE: PED FOUNTAIN W/ YELLOW-BOWL®, ACETAL EYEWASH HEADS, PBC PDN: 01-0303-16PBC DWG. #: D2443 REV: B</small>
	<small>SHEET # 1 OF 1 SCALE: 1/3</small>			<small>REV: B</small>