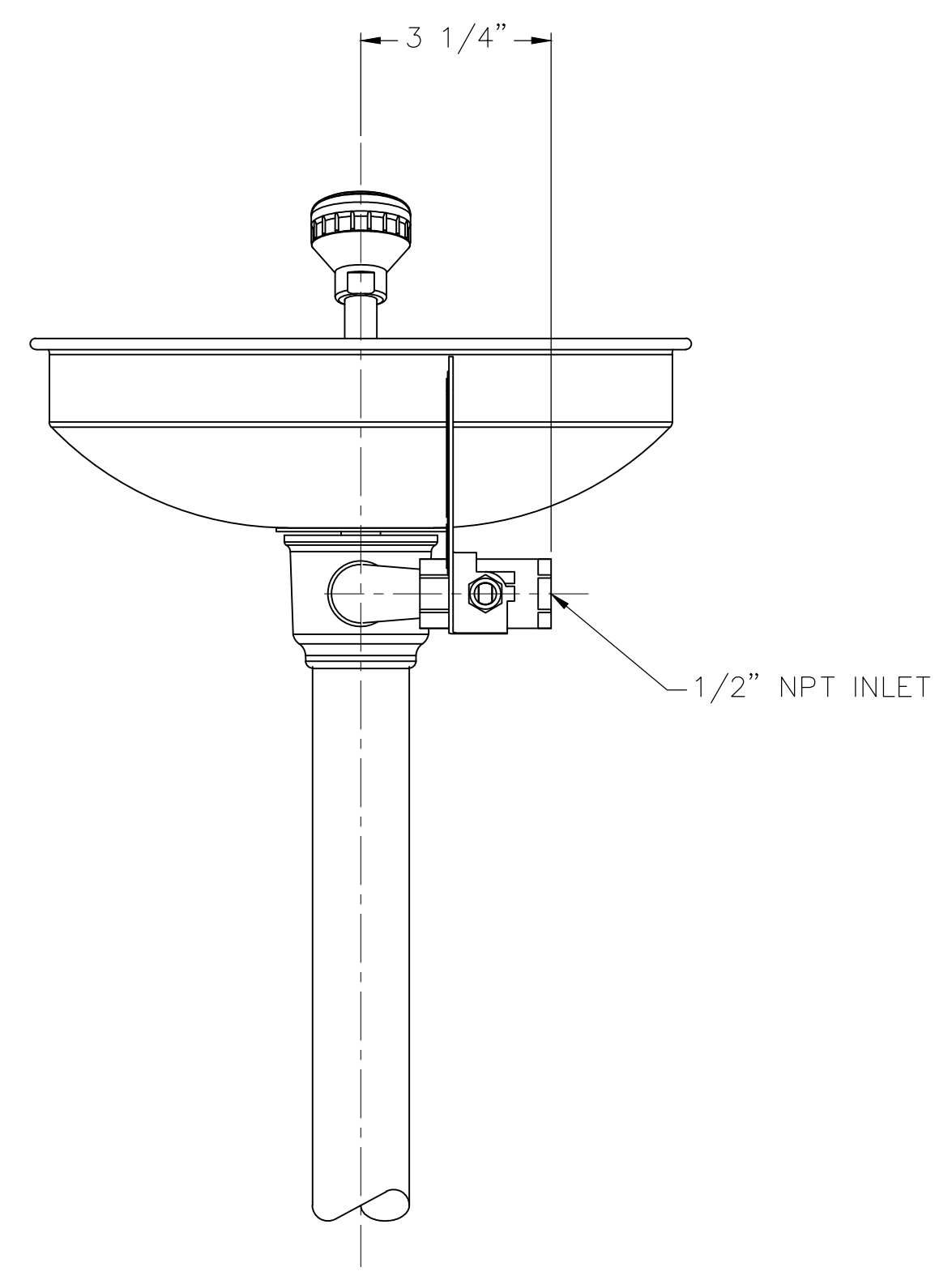
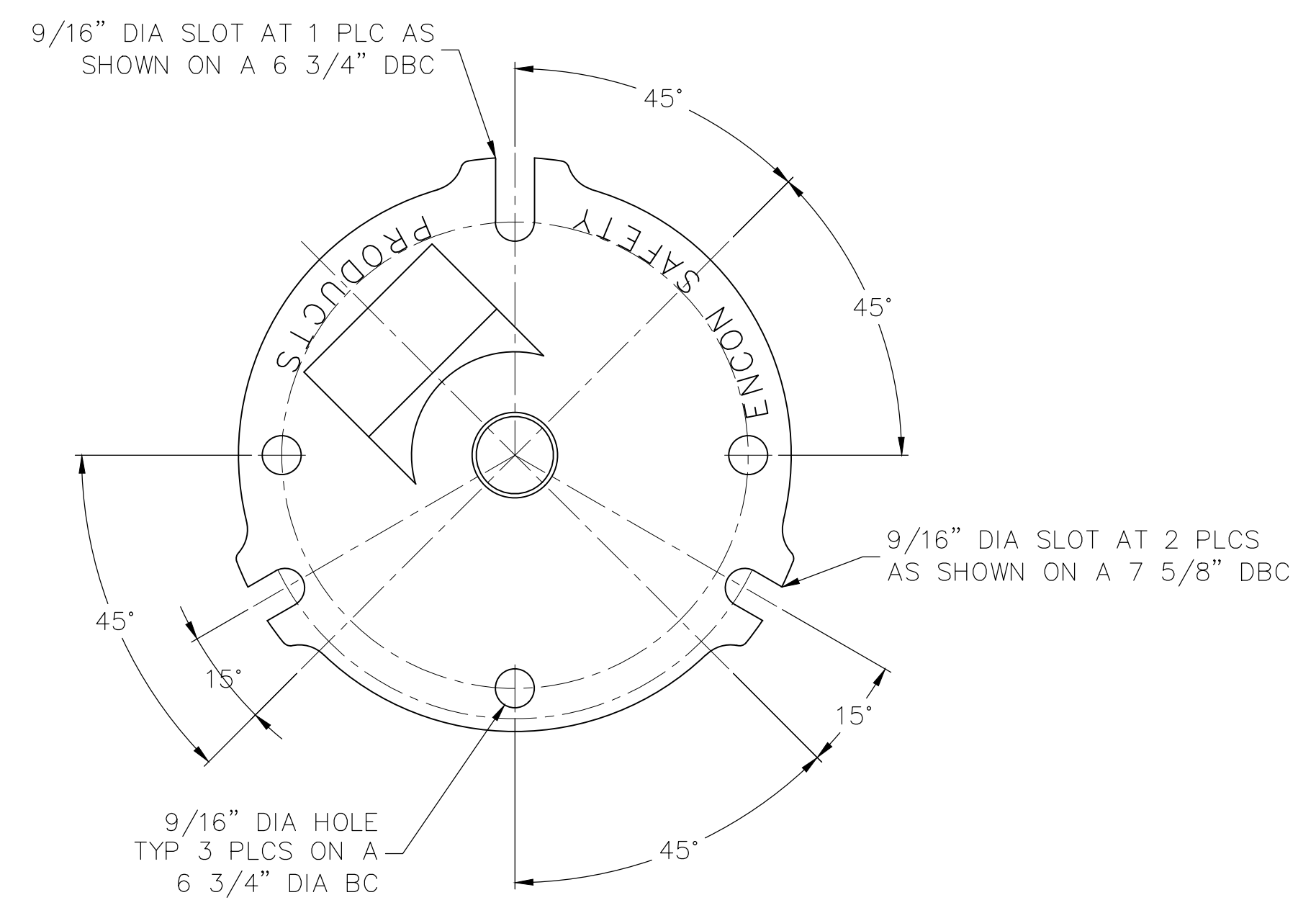


FRONT VIEW



VIEW A-A



FLOOR FLANGE DETAIL
SCALE: 1/2

Encon SAFETY PRODUCTS <small>THIS DRAWING & ALL INFORMATION CONTAINED HEREIN IS THE SOLE & EXCLUSIVE PROPERTY OF ENCON SAFETY PRODUCTS CO. REPRODUCTION IN WHOLE OR IN PART WITHOUT THE EXPRESSED WRITTEN AUTHORIZATION FROM ENCON IS FORBIDDEN.</small>	<small>6825 W. SAM HOUSTON PARKWAY N. HOUSTON, TEXAS 77041 PHONE: (713) 466-1449 FAX: (713) 466-1819</small>	<small>STANDARD TOLERANCES UNLESS OTHERWISE SPECIFIED XXX DECIMALS ±.005 FRACTIONS ± 1/32" XX DECIMALS ±.015 RADIUS CORNERS 1/16" X DECIMALS ±.030 ANGLES ± 1' BREAK ALL EDGES .010/.015</small>	<small>SPECIAL NOTES:</small>	<small>TITLE: PED FOUNTAIN W/ STAINLESS STEEL BOWL, 2.4 ACETAL EW HEADS</small>
	<small>REPRODUCTION IN WHOLE OR IN PART WITHOUT THE EXPRESSED WRITTEN AUTHORIZATION FROM ENCON IS FORBIDDEN.</small>	<small>SPECIAL TOLERANCES:</small>	<small>SHEET # 1 OF 1 SCALE: 3/8</small>	<small>PDN: 01-0450-02 DWG. #: 01-0450-02 REV: G</small>