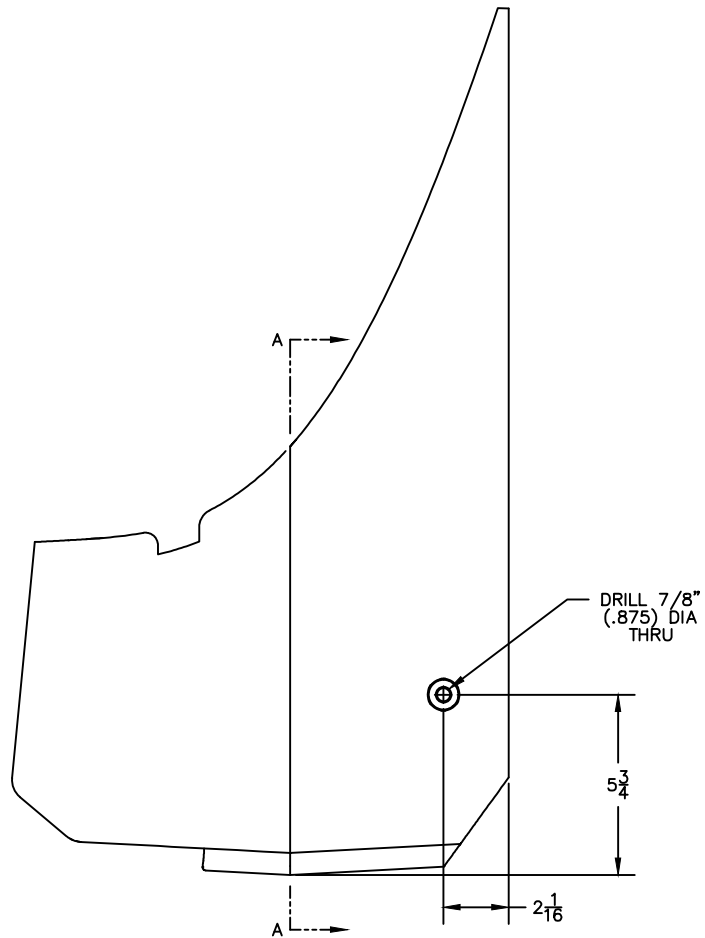
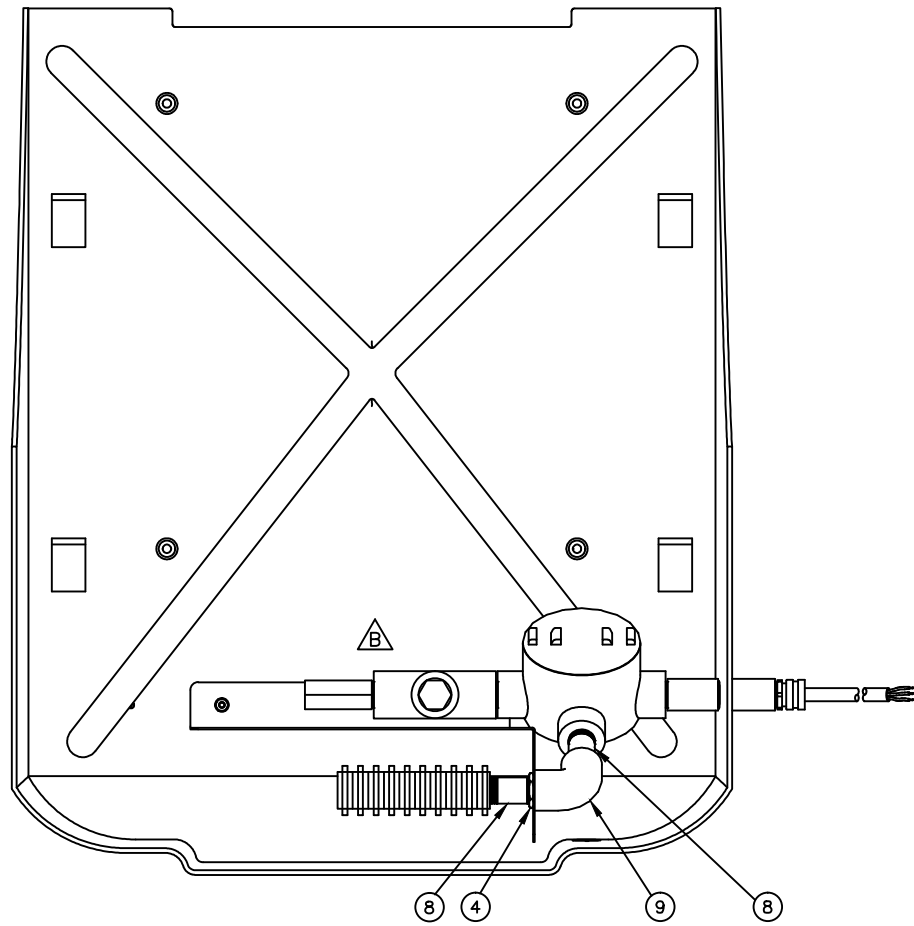
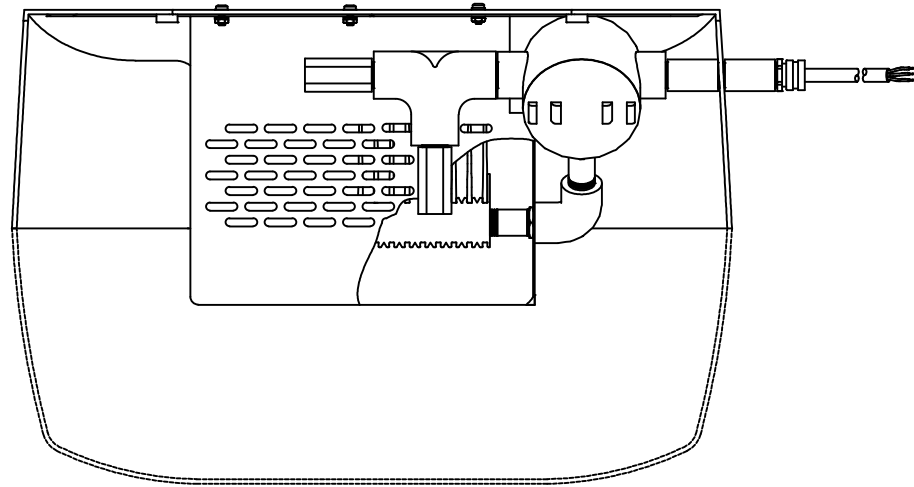


| | | | | | | |
|-----------------|------|----|------|------|------|------|
| REV/DESCRIPTION | DATE | BY | CHKD | APPD | M.C. | ECN# |
|-----------------|------|----|------|------|------|------|



| | | | | | | | | | | | | | | | | | | | | | | | | | | | | | |
|---|---|--|---|---|-----|-----|-------|-----|------|-----|-------|-----|------|-----|-------|--|-------|----|-------|--|-------|-----|--|--|----------|--|--------|-----|--|
| Encon SAFETY PRODUCTS <small>THIS DRAWING & ALL INFORMATION CONTAINED HEREIN IS THE SOLE & EXCLUSIVE PROPERTY OF ENCON SAFETY PRODUCTS CO. REPRODUCTION IN WHOLE OR IN PART WITHOUT THE EXPRESSED WRITTEN AUTHORIZATION FROM ENCON IS FORBIDDEN.</small> | <small>6825 W. SAM HOUSTON PARKWAY N. HOUSTON, TEXAS 77041 PHONE: (713) 466-1449 FAX: (713) 466-1819</small> | STANDARD TOLERANCES UNLESS OTHERWISE SPECIFIED <small>XXX DECIMALS ±.005 FRACTIONS ± 1/32" XX DECIMALS ±.015 RADIUS CORNERS 1/16" X DECIMALS ±.030 ANGLES ± 1° BREAK ALL EDGES .010/.015</small> | SPECIAL NOTES: CLASS 1 DIV 2, GRP BCD SPECIAL TOLERANCES: | <table border="1"> <tr> <td>BY:</td> <td>VRG</td> <td>DATE:</td> <td>N/A</td> </tr> <tr> <td>CHK:</td> <td>N/A</td> <td>DATE:</td> <td>N/A</td> </tr> <tr> <td>APP:</td> <td>VRG</td> <td>DATE:</td> <td></td> </tr> <tr> <td>M.C.:</td> <td>DS</td> <td>DATE:</td> <td></td> </tr> <tr> <td>EPF#:</td> <td>N/A</td> <td></td> <td></td> </tr> <tr> <td>SHEET #:</td> <td></td> <td>SCALE:</td> <td>1/3</td> </tr> </table> | BY: | VRG | DATE: | N/A | CHK: | N/A | DATE: | N/A | APP: | VRG | DATE: | | M.C.: | DS | DATE: | | EPF#: | N/A | | | SHEET #: | | SCALE: | 1/3 | TITLE: HEATED AQUARION 120V W/ 30°C THERMOSTAT PDN: AQ100H130 DWG. #: REV.: B |
| | BY: | VRG | DATE: | N/A | | | | | | | | | | | | | | | | | | | | | | | | | |
| | CHK: | N/A | DATE: | N/A | | | | | | | | | | | | | | | | | | | | | | | | | |
| | APP: | VRG | DATE: | | | | | | | | | | | | | | | | | | | | | | | | | | |
| M.C.: | DS | DATE: | | | | | | | | | | | | | | | | | | | | | | | | | | | |
| EPF#: | N/A | | | | | | | | | | | | | | | | | | | | | | | | | | | | |
| SHEET #: | | SCALE: | 1/3 | | | | | | | | | | | | | | | | | | | | | | | | | | |