




1-800-283-6266
 Phone: (713) 466-1449 Fax: (713) 466-1703
 E-Mail: customerservice@enconsafety.com

VERTICAL SHOWER

PART NUMBER: 01053002

SPECIFICATION:

Third party certified to ANSI Z358.1, the shower shall deliver 30 gpm (113.6 lpm) @ 30/70 psi (206.8/482.6 kPa) of flowing pressure. Shower shall provide a non-injurious stream of water for 15 minutes or longer. Unit shall be supplied with 1 1/4" chrome plated (CP) bronze single motion activation stay open ball valve with CP ball, SS actuator with actuation graphic, CP brass piping and 1 1/4" supply connection. Shower head shall be supplied with self-adjusting 30 gpm (113.6 lpm) regulator to assure constant flow and pattern under 30/70 psi (206.8/482.6 kPa) hydraulic conditions. Shower head to be manufactured of UV resistant high visibility yellow ABS plastic. Shower head must deliver a minimum of 20" (50.8 cm) diameter pattern to the target area 60" (152.4 cm) above standing level. Shower units that provide improper flow pattern are not acceptable. Shower unit shall be Encon Safety Products Model 01053002. For optional SS valve unit, shall be Encon Safety Products Model 01053005. If type 304 SS head required, unit shall be Encon Safety Products Model 01053002SS.

MATERIALS OF CONSTRUCTION:

PIPING: Chrome plated brass.

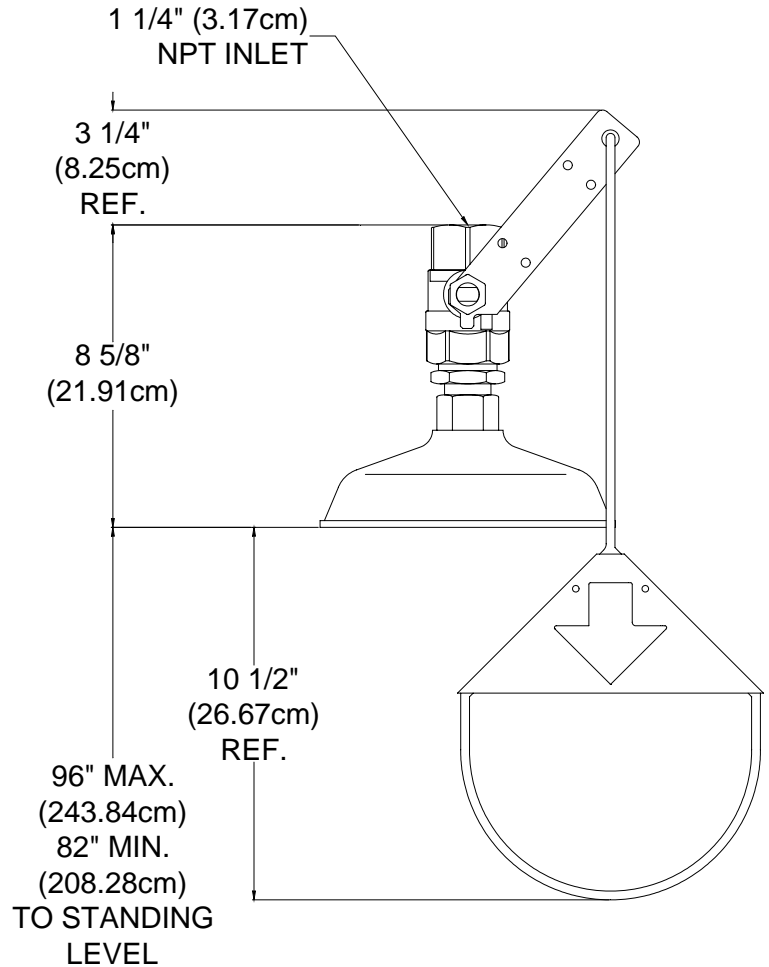
VALVE: 1 1/4" chrome plated bronze stay open ball valve with chrome plated ball, stainless steel valve stem and stainless pull rod assembly with actuation graphic.

SHOWER HEAD: Yellow ABS plastic shower head. Option: Type 304 stainless steel shower head.

REGULATOR: Self-adjusting 30 gpm (113.6 lpm) regulator.

SUPPLY: 1 1/4" NPT

WEIGHT: 11 lbs (4.98 kgs)



	MODEL #	DESCRIPTION
	01053002	As Specified
	01053005	With SS valve
	01053002SS	With 304 SS shower head