

PRODUCT DESCRIPTION

Dual stream eye/facewash with drench hose assemblies are designed for counter top or supply pipe installation in areas where people may come into contact with hazardous materials. The dual stream eye/facewash head assembly provides stationary flushing, and is removable for spot body drenching by lifting the eye/facewash section up from its base or wall bracket.

NOTE: 45-70 PSI dynamic (flowing) water pressure is recommended for coiled hose models.



Model 01090012



Model 01090102



Model 01090103

GENERAL INFORMATION

Following are requirements of ANSI Z358.1 for Emergency Eyewash and Shower Equipment. A complete copy of this standard may be purchased from the International Safety Equipment Association.

1. Unit shall be installed in accordance with the manufacturer's instructions and acceptable plumbing practices.
2. The eye/facewash shall be positioned with the water nozzles between 83.8 cm (33 inches) and 114.3 cm (45 inches) from the floor and 15.3 cm (6 inches) minimum from the wall or nearest obstruction.
3. The unit shall be connected to a system capable of supplying adequate flushing fluid to meet the flow requirements of each component operating simultaneously. The supply line shall provide an uninterrupted supply of potable water at recommended minimum 0.344 megapascal (50 pounds per square inch) of flow pressure.
4. Where the possibility of freezing conditions exists, equipment shall be protected from freezing or freeze-protected equipment shall be installed.
5. Unit shall be installed in accordance with the manufacturer's instructions and acceptable plumbing practices.
6. When the eye/facewash is installed, the valve shall be operated to determine that both eyes can be irrigated simultaneously at a velocity low enough not to be injurious to the user.
7. Eye/facewash units shall be in accessible locations that require no more than 10 seconds travel time from the farthest hazard.
8. Each unit location shall be identified with a highly visible sign. The area around the unit shall be well lit.
9. Plumbed units shall be inspected annually for proper operation to ensure compliance to ANSI Z358.1 standard.

REPLACEMENT PARTS LIST

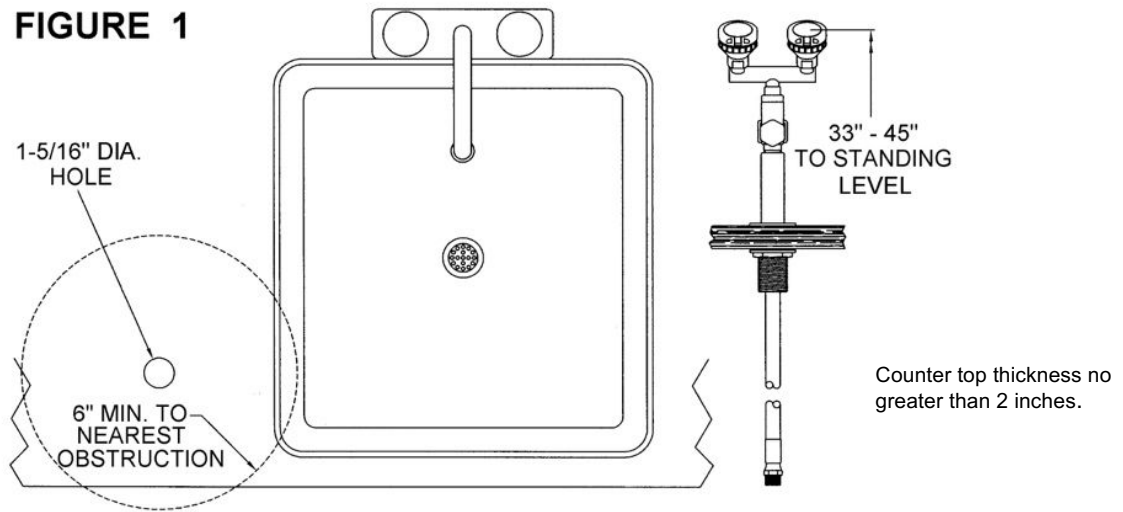
MODEL 01090012

01052045 Regulated Eyewash Head w/ cover, 1.2 GPM
00004815 Manifold
00011046 Self-closing Squeeze Valve
00020039 Handle Adapter
00014326 Hose Assembly, 8'
00014327 Counter Top Flange w/ nut & gasket
01052045 Regulated Eyewash Head w/ cover, 1.2 GPM
01112900 Drench Hose Station Signage, 7x11

MODELS 01090102 & 01090103

00014338 Red Recoil Hose, 6'
01052101 Ball Valve Kit
01052040 Facewash Head only GPM (01090102 models)
01052022 Facewash Pop Off Cover w/ 16" chain (01090102 models)
01052045 Regulated Eyewash Head w/ cover, 1.2 GPM (01090103 models)
01112893 Eyewash Station Signage, 7x11

FIGURE 1



MODEL 01090012 INSTALLATION VIEW

INSTALLATION INSTRUCTIONS

MODEL 01090012

NOTE: Refer to the installation layout diagram, Figure 1.

1. A shut-off valve installed upstream of the eyewash on water supply line is recommended for future maintenance requirements.
2. A pressure regulator and/or strainer (by others) should be installed upstream of the eyewash when necessary.
3. Recommended minimum dynamic pressure 30 psi / max. 80 psi.
4. Mark counter at desired edge of sink (left or right side) for proposed valve location. See **Figure 1** for installation layout diagram.
5. Drill 1-5/16" (3.335 cm) diameter hole through counter at marked location. Use necessary precautions if drilling into an asbestos lab counter top.
6. Remove flange, rubber gasket, and brass nut from drench hose assembly. Place rubber gasket and nut to one side.
7. From above the counter, thread flange through hole.
8. Return rubber gasket and nut to flange from underneath counter top and secure using appropriate wrench.
9. Connect 3/8" NPT water inlet connection of hose to potable water supply line using pipe wrench and appropriate pipe sealant.
NOTE: A 1/2" supply line is recommended.
10. For proper operation of hinged lids, position hinges to the front side of the drench hose assembly (opposite side of the squeeze handle).
11. Test for leaks and proper water flow pattern by squeezing self-closing valve activating valve to open position.
12. Install wall signage nearby in a prominent location.

MODEL 01090102 & 01090103

BRACKET ATTACHMENT TO WALL (if applicable)

NOTE: Mounting hardware is not included

- Concrete Block:** Use two (2) 1/4" dia. toggle screws.
Concrete: Use two (2) 1/4" dia. expansion anchors or equal
Stud: Cut piece of wood (1" x 8"). Wood should be long enough to bridge between wall studs. Fasten wood to existing studs, then attach bracket to wood using two (2) 1/4" dia. lag screws.

1. A shut-off valve installed upstream of the eyewash on water supply line is recommended for future maintenance requirements.
2. A pressure regulator and/or strainer (by others) should be installed upstream of the eyewash when necessary.
3. Recommended minimum dynamic pressure is 45 PSI.
4. Attach ball valve to 1/2" NPT potable water supply line using pipe wrench and appropriate pipe sealant.
5. Place push plate over stem of ball valve and attach with lock nut provided.
6. Mount bracket assembly to desired location on wall using appropriate hardware.
7. For proper operation of hinged lids (if applicable), position hinges to the inside of the eyewash.
8. Test unit for leaks and for proper water flow pattern by activating valve to open position using push plate.
9. Install wall signage nearby in a prominent location.

OPERATION & MAINTENANCE

1. Plumbed units shall be activated weekly to flush lines and verify proper flow pattern and volume.
2. Test records should be maintained verifying compliance with testing procedures.
3. Some chemical vapors or liquids may damage or soften plastic materials. Precaution should be taken to determine compatibility prior to installation.

TRAINING

All employees who might be exposed to hazardous material shall be instructed in the location and proper use of emergency shower and eye/facewash units. Experiences have shown that initial first-aid treatment for irritates should be to wash the eyes and face for 15 minutes prior to medical treatment. It is important to hold the eyelids open and roll the eyes so water will flow on all surfaces and in the folds surrounding the eyes.

PROPOSITION 65

WARNING: This product can expose you to BPA, which is known to the State of California to cause birth defects or other reproductive harm. For more information go to www.P65Warnings.ca.gov.

WARRANTY STATEMENT

ENCON HEREBY DISCLAIMS ALL WARRANTIES EXPRESSED OR IMPLIED INCLUDING BUT NOT LIMITED TO WARRANTIES OF MERCHANTABILITY, FITNESS FOR A PARTICULAR PURPOSE, AND NON-INFRINGEMENT OF THIRD-PARTY RIGHTS, EXCEPT AS HEREINAFTER PROVIDED.

Encon Safety Products warrants that for one year from the date of purchase of any Encon products, the product will be free of defects in materials and workmanship if properly used and cared for or cleaned under normal conditions in accordance with Encon's use and care instructions and properly installed, if applicable, in accordance with Encon's installation instructions. With respect to the product, Encon's only obligation and purchaser's exclusive remedy under this warranty is to repair or replace such product; provided that:

1. Encon is notified of the defect within one year of shipment, and
2. the product is determined by Encon to be defective.

Encon requires proof of original ownership as proof of warranty coverage, and Encon must receive any claim under this Limited Warranty within one year of purchase of the product.

NOTWITHSTANDING ANYTHING TO THE CONTRARY CONTAINED HEREIN, ENCON SHALL NOT BE LIABLE FOR LOSS, DAMAGE, OR EXPENSE ARISING DIRECTLY OR INDIRECTLY AS A CONSEQUENCE OF USE OF THE EQUIPMENT WITH OTHER PRODUCTS OR FROM ANY OTHER CAUSE, INCLUDING ANY CONSEQUENTIAL, INCIDENTAL, SPECIAL OR EXEMPLARY DAMAGES, EXCEPT FOR ENCON'S OBLIGATION TO REPAIR OR REPLACE DEFECTIVE PRODUCTS AS EXPRESSLY PROVIDED IN THIS STATEMENT.

Replacement parts purchased from Encon are warranted for one year following the shipment of such replacement part, or until the expiration of the warranty period for the product, whichever is less. No warranty is given in connection with products that are altered without Encon's expressed written consent. The same warranty limitations and the obligations of Encon as set out herein above shall apply to replacement parts.

Encon's total liability arising out of this warranty (including, but not limited to, warranty claims) regardless of forum and regardless of whether such action or claim is based on tort, contract or otherwise will not exceed the total purchase price of the product.



6825 W. Sam Houston Pkwy. N
Houston, TX 77041
1-800-AT-ENCON / 1-800-283-6266
customerservice@enconsafety.com
<http://www.enconsafety.com>