



# 37 GALLON EYEWASH W/ DRENCH HOSE PART NUMBER: 01106002

## SPECIFICATION:

Third party certified to ANSI Z358.1, the self-contained eyewash shall deliver a non-injurious dual stream of water at a volume of 0.4 gpm (1.5 lpm) for a full 15 minutes or longer. Eyewash is supplied with a single motion, stay open push plate activated 1/2" ball valve. Unit shall supply thirty gallons of useable water from a stainless steel ASME rated vessel. A relief valve is included to assist in preventing over-pressurization and a custom-faced gauge is provided to monitor internal tank pressure. The eyewash includes a self-adjusting 0.4 gpm (1.5 lpm) regulator to assure constant, even flow through UV resistant long lasting ABS plastic eyewash heads. The fixed dual stream eyewash heads function with ABS float off covers secured with stainless steel bead chains provided to inhibit dust and/or contamination when not in use. A 3/8" chrome plated brass self-closing squeeze valve operated drench hose with eight-foot hose is included for optional spot drenching. The drench hose assembly includes a self-adjusting 4.0 gpm (15.1 lpm) regulator to assure constant, even flow through a UV resistant ABS plastic single spray head. ABS float off cover is supplied and secured with stainless steel bead chain. Highly visible graphics are included on the eyewash push plate to indicate activation method. Maintenance and operation information is visibly displayed on the vessel side.

**Encon Safety Products Model 01106002** includes 37 Gallon eyewash with drench hose

**\*Note:** Where hazardous materials that are injurious to the skin are used, a proper eyewash or eye/facewash installation with an emergency shower should be considered.

## MATERIALS OF CONSTRUCTION:

**PIPING:** 1/2" Chrome plated brass.

**VALVES:** 1/2" Chrome plated bronze stay open ball valve with chrome plated ball, stainless steel valve stem and stainless steel push plate with actuation graphic (eyewash) and 3/8" chrome plated bronze self-closing squeeze valve with lock open handle actuator (drench hose).

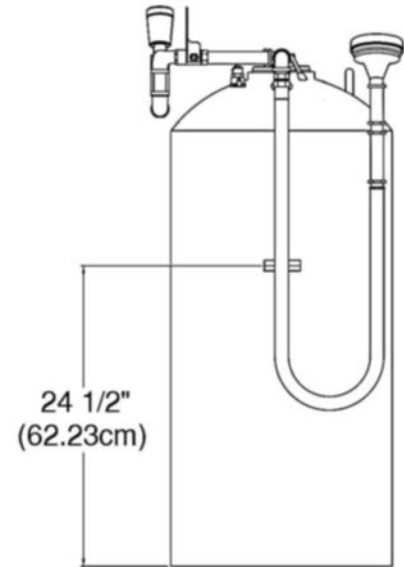
**EYEWASH HEAD:** ABS plastic dual stream heads with ABS plastic pop off covers secured with stainless steel bead chains.

**REGULATOR:** Self-adjusting 0.4 gpm (1.5 lpm) eyewash and 4.0 gpm (15.1 lpm) drench hose regulators.

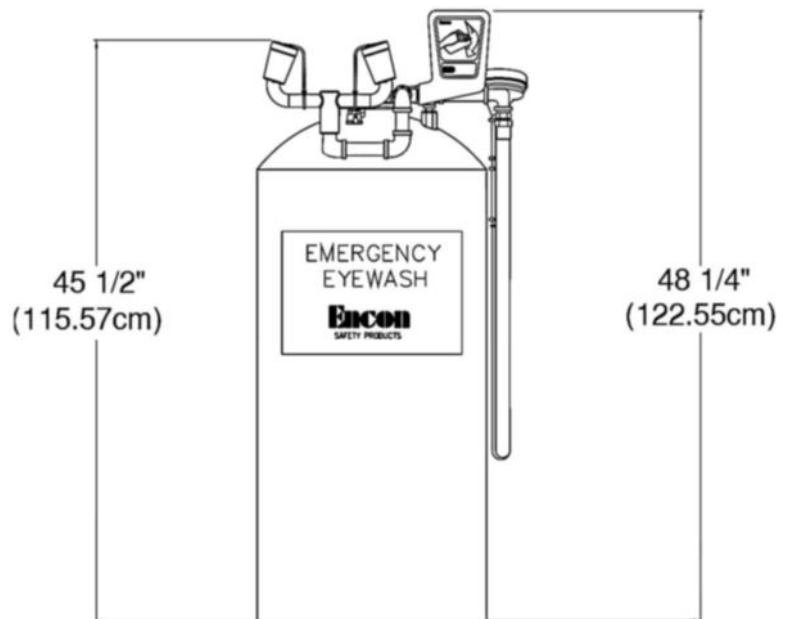
**VESSEL:** Stainless steel ASME rated with 37-gallon capacity.

**WATER TREATMENT ADDITIVE:** 2 bottles of Hydrosep<sup>®</sup> shipped with each unit. Treats 10 to 40 gallons (37.8 l to 151.4 l) of potable water up to 120 days.

**WEIGHT:** 160 lbs (72.6 kgs)



SIDE VIEW



FRONT VIEW