

**Encon<sup>®</sup>**  
**SAFETY PRODUCTS**  
**1-800-283-6266**  
 phone: (713) 466-1449  
 email: customerservice@enconsafety.com

# EYE/FACEWASH W/ STAINLESS STEEL BOWL AND WALL MOUNT

PART NUMBER:01045501

**SPECIFICATION:**

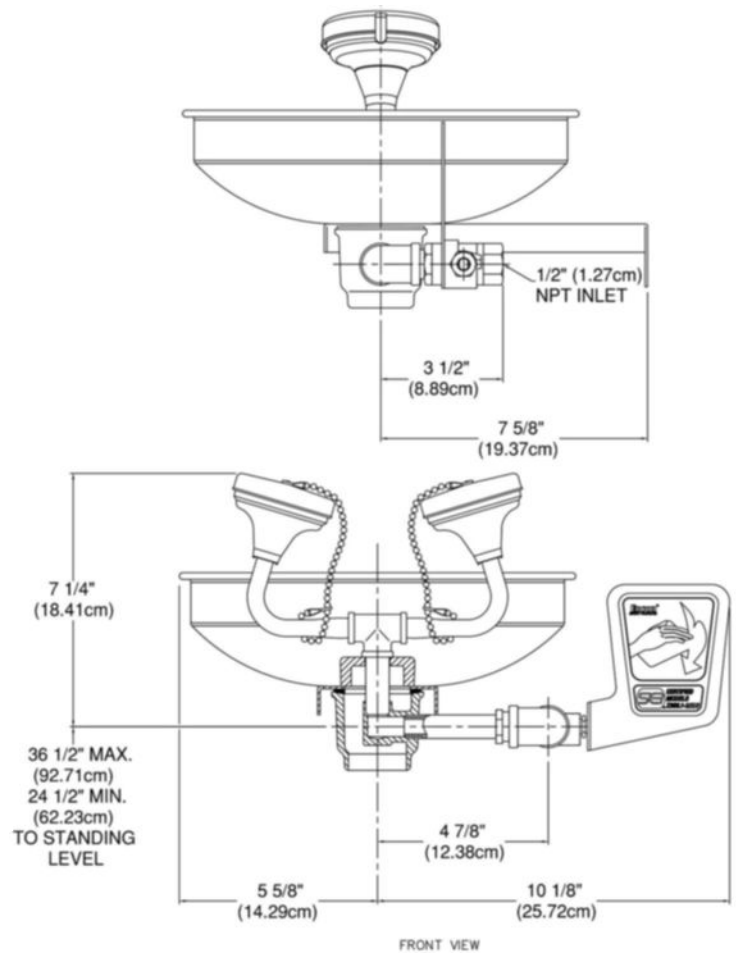
Third party certified to ANSI Z358.1, the eye/facewash shall deliver 8.0 gpm (30.3 lpm) @ 30/70 psi (206.8/482.6 kPa) of flowing pressure. Unit shall provide a non-injurious stream of water for 15 minutes or longer as required by ANSI Z358.1. Unit shall be supplied with 1/2" chrome plated (CP) single motion activation stay open ball valve with CP ball. Eye/Facewash shall include stainless steel (SS) actuator with actuation graphic, 7" X 11" (17.8 cm X 27.9 cm) sign and wall mounting bracket. Unit must be supplied with 8.0 gpm (30.3 lpm) regulator to assure a constant and even dual stream flow pattern under 30/70 psi (206.8/482.6 kPa) hydraulic conditions. Eye/Facewash heads with float off covers to be manufactured of UV resistant ABS plastic mounted on a chrome plated brass wye in type 304 SS bowl. Float off covers are secured with stainless steel bead chains and provided to inhibit dust and/or contamination when not in use. Eye/Facewash units with deteriorating screens/filters are not acceptable.

**Encon Safety Products Model 01045501** includes eye/facewash with stainless steel bowl and wall mount.

**Encon Safety Products Model 01045503** includes eye/facewash, stainless steel bowl, wall mount and strainer tee.

**Encon Safety Products Model 01045510** includes eye/facewash, stainless steel bowl, wall mount and 1 1/4" p-trap.

**\*Note:** Where hazardous materials that are injurious to the skin are used, a proper eyewash or eye/facewash installation with an emergency shower should be considered.



**MATERIALS OF CONSTRUCTION:**

**PIPING:** 1/2" Chrome plated brass.

**VALVES:** 1/2" Chrome plated bronze stay open ball valve with chrome plated ball, stainless steel valve stem and stainless steel push plate with actuation graphic. Strainer Tee Option: 1/2" BCP, 16 mesh. P-trap Option: 1 1/4" Satin BCP

**HEAD:** ABS plastic dual stream heads with ABS plastic float off covers secured with stainless steel bead chains and chrome plated brass wye assembly.

**BOWL:** Type 304 stainless steel bowl with SS wall bracket.

**REGULATOR:** Self-adjusting (2) 4.0 gpm (15.1 lpm) regulators.

**SUPPLY:** 1/2" NPT

**WASTE:** 1 1/4" NPT (p-trap optional).

**WEIGHT:** 9 lbs (4.08 kgs)

