



**EYE/FACEWASH DRENCH HOSE SWIVEL STATION
FOR COUNTER TOP MOUNTING
MODELS: 01045614 & 01040114**

PRODUCT DESCRIPTION

Eyewash or Facewash Drench Hose Station designed for counter top mounting in areas where people may come into contact with hazardous materials. Stations are designed for use as a drench hose by lifting the eye/facewash section up from its base. **NOTE:** 45-70 PSI dynamic (flowing) water pressure is recommended.

GENERAL INFORMATION

Following are requirements of ANSI Z358.1 for Emergency Eyewash and Shower Equipment. A complete copy of this standard may be purchased from the International Safety Equipment Association.

1. Unit shall be installed in accordance with the manufacturer's instructions and acceptable plumbing practices.
2. The eye/facewash shall be positioned with the water nozzles between 83.8 cm (33 inches) and 114.3 cm (45 inches) from the floor and 15.3 cm (6 inches) minimum from the wall or nearest obstruction.
3. The unit shall be connected to a system capable of supplying adequate flushing fluid to meet the flow requirements of each component operating simultaneously. The supply line shall provide an uninterrupted supply of potable water at recommended minimum 0.344 megapascal (50 pounds per square inch) of flow pressure.
4. Where the possibility of freezing conditions exists, equipment shall be protected from freezing or freeze-protected equipment shall be installed.
5. Unit shall be installed in accordance with the manufacturer's instructions and acceptable plumbing practices.
6. When the eye/facewash is installed, the valve shall be operated to determine that both eyes can be irrigated simultaneously at a velocity low enough not to be injurious to the user.
7. Eye/facewash units shall be in accessible locations that require no more than 10 seconds travel time from the farthest hazard.
8. Each unit location shall be identified with a highly visible sign. The area around the unit shall be well lit.
9. Plumbed units shall be inspected annually for proper operation to ensure compliance to ANSI Z358.1 standard.

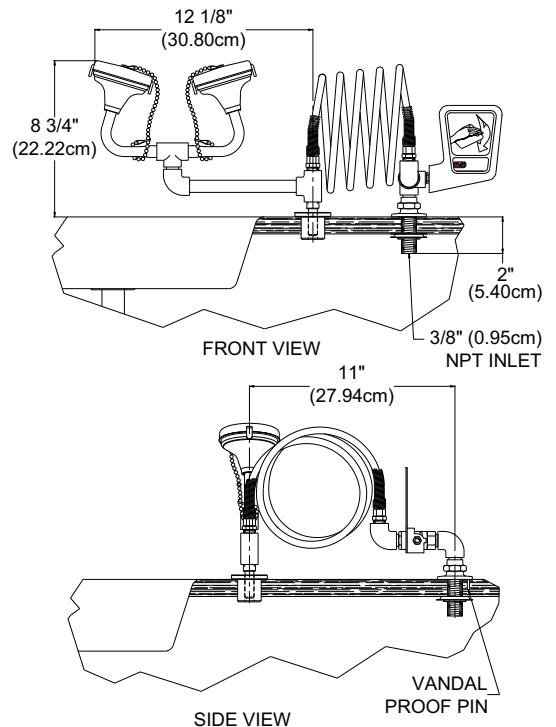


FIGURE 1

OPERATION & MAINTENANCE

1. Plumbed units shall be activated weekly to flush lines and verify proper flow pattern and volume.
2. Test records should be maintained verifying compliance with testing procedures.
3. Some chemical vapors or liquids may damage or soften plastic materials. Precaution should be taken to determine compatibility prior to installation.

TRAINING

All employees who might be exposed to hazardous material shall be instructed in the location and proper use of emergency shower and eye/facewash units. Experiences have shown that initial first-aid treatment for irritants should be to wash the eyes and face for 15 minutes prior to medical treatment. It is important to hold the eyelids open and roll the eyes so water will flow on all surfaces and in the folds surrounding the eyes.

SPARE PARTS LIST

- 01052018 Push Plate w/ Decal
- 00014338 Red Recoil Hose, 6'
- 00011066 Ball Valve
- 01052153 Facewash/Drench Hose Dual Stream Head Assembly (for 01045614 models)
- 01052040 Replacement Facewash Head, 4 GPM (for 01045614 models)
- 01052154 Eyewash/Drench Hose Dual Stream Head Assembly (for 01040114 models)
- 01052045 Replacement Eyewash Head, 1.2 GPM (for 01040114 models)

INSTALLATION INSTRUCTIONS

NOTE: Refer to the installation layout diagram Figure 2.

1. Remove nut and washer from water inlet flange assembly.
2. Locate eye/facewash counter top flange through hole (previous drench hose location – right side of sink) or drill new hole ($\frac{3}{4}$ ") off back right edge of sink (see Figure 2).
3. Locate and drill $\frac{3}{16}$ " hole $\frac{5}{8}$ " to rear of counter top flange for vandal proof pin.
4. Locate eye/facewash head bayonet flange position. Flange may be inverted and affixed to counter top using adhesive or drill hole ($1\text{-}\frac{5}{16}$ ") and secure with $\frac{1}{8}\times 1$ " screws.

5. Return washer and nut to water inlet flange from underneath counter top and secure.
6. Connect supply water pipe to the eyewash station $\frac{3}{8}$ " NPT water inlet connection.

NOTES: 1. A $\frac{1}{2}$ " supply line is recommended.

2. Dynamic water pressure minimum of 45 PSI is recommended.

7. Attach push plate to ball valve stem and secure tightly with lock nut .
8. Activate eye/facewash using push plate to check for leaks and verify fluid flow volume and pattern.

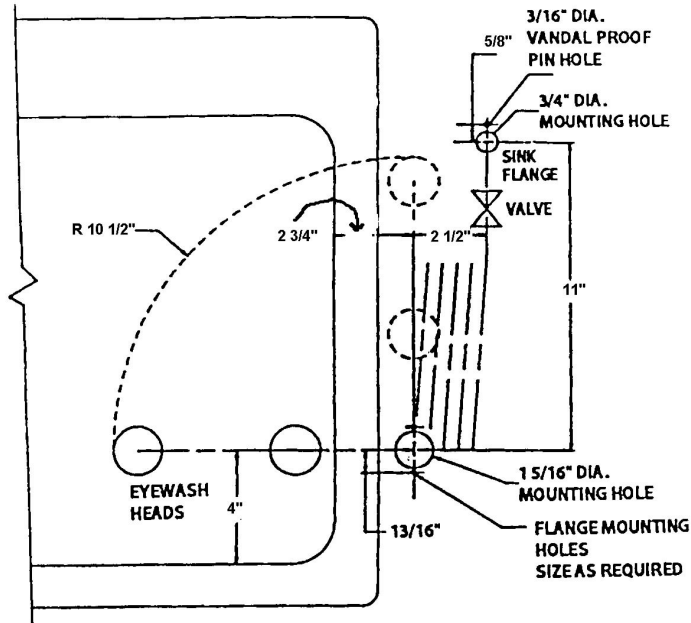


FIGURE 2

PROPOSITION 65

WARNING: This product can expose you to BPA, which is known to the State of California to cause birth defects or other reproductive harm. For more information go to www.P65Warnings.ca.gov.

WARRANTY STATEMENT

ENCON HEREBY DISCLAIMS ALL WARRANTIES EXPRESSED OR IMPLIED INCLUDING BUT NOT LIMITED TO WARRANTIES OF MERCHANTABILITY, FITNESS FOR A PARTICULAR PURPOSE, AND NON-INFRINGEMENT OF THIRD-PARTY RIGHTS, EXCEPT AS HEREINAFTER PROVIDED.

Encon Safety Products warrants that for one year from the date of purchase of any Encon products, the product will be free of defects in materials and workmanship if properly used and cared for or cleaned under normal conditions in accordance with Encon's use and care instructions and properly installed, if applicable, in accordance with Encon's installation instructions. With respect to the product, Encon's only obligation and purchaser's exclusive remedy under this warranty is to repair or replace such product; provided that: 1. Encon is notified of the defect within one year of shipment, and

2. the product is determined by Encon to be defective.

Encon requires proof of original ownership as proof of warranty coverage, and Encon must receive any claim under this Limited Warranty within one year of purchase of the product.

NOTWITHSTANDING ANYTHING TO THE CONTRARY CONTAINED HEREIN, ENCON SHALL NOT BE LIABLE FOR LOSS, DAMAGE, OR EXPENSE ARISING DIRECTLY OR INDIRECTLY AS A CONSEQUENCE OF USE OF THE EQUIPMENT WITH OTHER PRODUCTS OR FROM ANY OTHER CAUSE, INCLUDING ANY CONSEQUENTIAL, INCIDENTAL, SPECIAL OR EXEMPLARY DAMAGES, EXCEPT FOR ENCON'S OBLIGATION TO REPAIR OR REPLACE DEFECTIVE PRODUCTS AS EXPRESSLY PROVIDED IN THIS STATEMENT.

Replacement parts purchased from Encon are warranted for one year following the shipment of such replacement part, or until the expiration of the warranty period for the product, whichever is less. No warranty is given in connection with products that are altered without Encon's expressed written consent. The same warranty limitations and the obligations of Encon as set out herein above shall apply to replacement parts.

Encon's total liability arising out of this warranty (including, but not limited to, warranty claims) regardless of forum and regardless of whether such action or claim is based on tort, contract or otherwise will not exceed the total purchase price of the product.



6825 W. Sam Houston Pkwy. N
Houston, TX 77041
1-800-AT-ENCON / 1-800-283-6266
customerservice@enconsafety.com
<http://www.enconsafety.com>