

**PRODUCT DESCRIPTION**

Emergency eyewash to be mounted to the side of a laboratory sink or other suitable location. When the eyewash heads are rotated 90° down over the sink the valve opens allowing water to flow. Stop water flow by rotating back 90° to stored position.

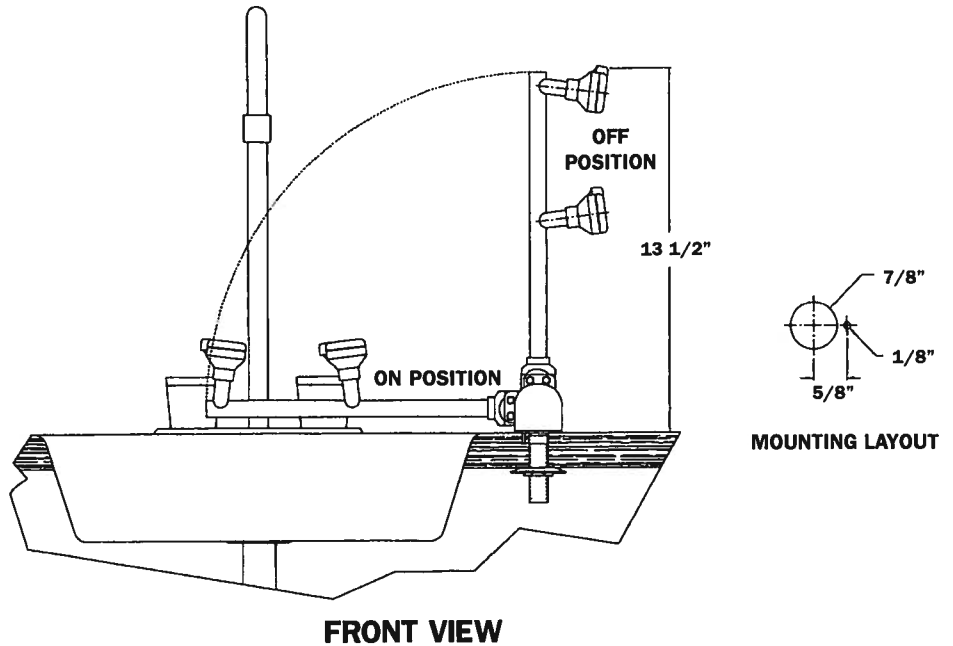
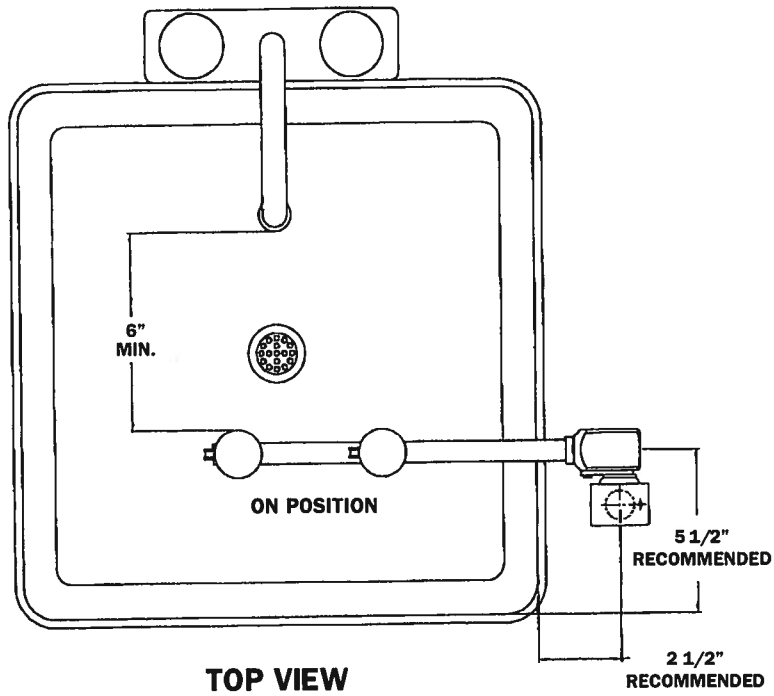
**PARTS LIST**

1. Eyewash Assembled: 01-0401-33
2. Pull Label: 01-1127-93
3. Wall Mount Sign: 01-1128-93

**INSTALLATION/ASSEMBLY**

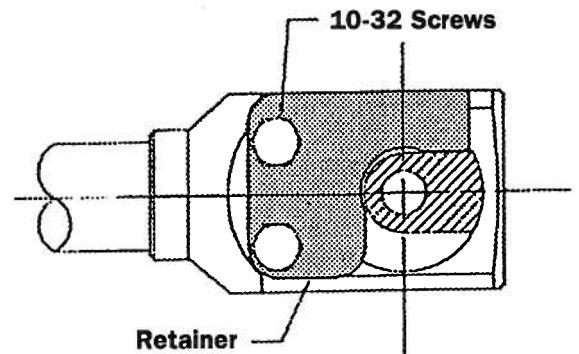
1. Install shut-off valve upstream of the eyewash on water supply line for future maintenance requirements.
2. Mark counter near sink for proposed valve location. See diagram.
3. Check for proper clearance of swing radius, height and in-use position. Alter layout dimensions if required.
4. Drill 7/8" (2.223 cm) diameter hole in counter at desired location. Use necessary precautions if drilling into an asbestos lab counter top.
5. Drill 1/8" (.318 cm) diameter hole next to larger hole on side toward sink for vandal pin. See diagram for dimensions. Note: Vandal pin may be shortened or removed if necessary.
6. Place valve through holes in counter. Install washer and retainer nut from below.\*
7. Connect water and test for proper operation. For proper operation of flip caps, position the hinge to the front of the eyewash.
8. Install pull decal on eyewash arm top between valve and first eyewash head. Arrow on pull decal must face the sink when the eyewash is off.
9. Install wall sign nearby in a prominent location, visible to the hazards(s) covered.
10. A pressure regulator and/or strainer should be installed upstream of the eyewash when necessary.

*\*When tightening nut and plumbing below be sure to hold a wrench on the valve base just above threads to prevent turning. Failure to do so may damage vandal pin or valve, voiding warranty.*



**TO CHANGE FROM RIGHT HAND ORIENTATION  
(FACTORY SUPPLIED) TO LEFT HAND**

1. Loosen and remove two 10-32 screws on bottom of valve with 5/16" (.794 cm) open end wrench.
2. Do not pull two halves of valve apart.
3. Reverse orientation of stainless steel retainer as shown in figure 2.
4. Re-install two screws, check rotation then tighten screws.
5. When installing in counter, flip counter sign over so graphics are correct for left hand use.



## INSTALLATION OF EYE/FACE WASHES

Following are requirements of ANSI Z358.1-1998 for Emergency Eyewash and Shower Equipment. Complete copies of this standard may be purchased from ISEA, 1901 North Moore St., Arlington, VA 22209-1762, Ph. 703-525-1695.

1. The unit shall be positioned with the water nozzles 83.8 cm (33 inches) to 114.3 cm (45 inches) minimum from floor and 15.3 cm (6 inches) minimum from the wall or nearest obstruction.
2. The unit shall deliver flushing fluid. The supply line shall provide an uninterrupted supply of water at 0.207 megapascal (30 pounds per square inch) of flow pressure. Where the possibility of freezing conditions exists, equipment shall be protected from freezing or freeze-protected equipment shall be installed. Units shall be installed in accordance with the manufacturer's instructions and acceptable plumbing practices.
3. When the unit is installed, the valve shall be operated to determine that both eyes will be washed simultaneously at a velocity low enough not to be injurious to the user.
4. Eyewash units shall be in accessible locations that require no more than 10 seconds to reach.
5. Each unit location shall be identified with a highly visible sign positioned so the sign shall be visible within the area served by the eyewash.

### OPERATIONS & MAINTENANCE

1. Plumbed units shall be activated weekly to flush the line and to verify proper operation.
2. A monthly record should be maintained to verify compliance with testing procedures.
3. Some chemical vapors or liquids may damage or soften plastic materials. Precaution should be taken to determine compatibility prior to use.
4. O-rings inside valve should be inspected.

### TRAINING

All employees who might be exposed to chemical splash shall be instructed in the proper use of emergency eye/face-wash units. Medical and industrial experiences have shown that the initial first aid treatment for chemical splash should be to wash the body or eyes or both, for 15 minutes prior to medical treatment with the clothing removed during the showering period. It is important to hold the eyelids open and roll the eyeballs so water will flow on all surfaces and in the folds surrounding the eyeballs.

### SPARE PARTS LIST

01-0520-37	Regulated Eyewash Head with Cover
00-0048-08	Eyewash Manifold
00-0133-34	O-Ring Repair Kit
01-0401-32	Valve Subassembly
01-1127-93	Pull Label
01-1128-93	Wall Mount Sign
00-0145-24	Friction Plate



## WARRANTY STATEMENT

ENCON HEREBY DISCLAIMS ALL WARRANTIES EXPRESSED OR IMPLIED OR STATUTORY INCLUDING THE IMPLIED WARRANTY OF MERCHANTABILITY AND FITNESS FOR A PARTICULAR PURPOSE NON-INFRINGEMENT OF THIRD-PARTY RIGHTS EXCEPT AS HEREAFTER PROVIDED.

Encon warrants the equipment to be free of defects in materials and workmanship if properly installed, cared for and operated under normal conditions with competent supervision and in accordance with Encon's installation, operation and maintenance instructions. With respect to the equipment, Encon's only obligation and the purchaser's exclusive remedy under this warranty is to repair or replace such equipment:

1. As it proves defective and Encon is so notified within one year after shipment.
2. As it shall appear to Encon's satisfaction to have been defective in materials or workmanship and;
3. Encon is provided an opportunity to inspect such material or workmanship, and at its option, allowed to repair or replace such material or workmanship.

Notwithstanding anything to the contrary contained herein, Encon shall not be liable for loss, damage or expense arising directly or indirectly as a consequence of use of the equipment with other products, or from any other cause including any consequential, incidental, special or exemplary damages, including lost profits, loss of business or labor costs, except for Encon's obligation to repair or replace defective equipment or other products as expressly provided in this warranty statement.

PURSUANT TO SECTION 2.314 OF THE TEXAS BUSINESS AND COMMERCE CODE, CUSTOMER'S PURCHASE AND ACCEPTANCE OF ENCON PRODUCTS SHALL BE DEEMED TO BE ITS AGREEMENT TO BE BOUND BY THE TERMS AND PROVISIONS OF THIS LIMITED WARRANTY AS SET OUT HEREIN.

Under no circumstances will Encon ever be liable for indirect or consequential loss or damage. Encon assumes no liability for labor and/or other expenses incurred by anyone without Encon's expressed and written consent.

Equipment replacement parts purchased from Encon are warranted for one (1) year or until the expiration of the warranty period for the equipment, whichever is less. No warranty is given in connection with equipment or other products which are altered or rebuilt without Encon's expressed and written consent. The same warranty limitations and the obligation of Encon as set out herein above shall apply to replacement parts.

Under no circumstances shall Encon's total liability of all kinds arising out of this warranty (including but not limited to warranty claims) regardless of forum and regardless of whether such action or claim is based on tort, contract or otherwise exceed the total purchase price of the products.



6825 W. Sam Houston Pkwy. N. (77041)  
P.O. Box 3826 • Houston, Texas 77253  
(713) 466-1449 • FAX (713) 466-1819

