

**SWING-AWAY<sup>®</sup> EYEWASH STATIONS**  
**MODELS: 01040127 (12½ RADIUS)**  
**& 01040128 (10½ RADIUS)****PRODUCT DESCRIPTION**

Emergency Eyewash Station to be mounted on the side of a laboratory sink or other suitable location. When the eyewash heads are rotated 90° over the sink the valve opens allowing water to flow. Stop water flow by rotating back 90° to stored position.

**SPARE PARTS LIST**

01052037	Regulated Eyewash Head with Cover	00010992	Valve Subassembly
00004808	Manifold for 12½" Radius	01112919	Counter Top Template
00004811	Manifold for 10½" Radius	01112793	Pull Label
00013334	O-Ring Repair Kit	01112893	Wall Mount Sign

**GENERAL INFORMATION**

Following are requirements of ANSI Z358.1 for Emergency Eyewash and Shower Equipment. A complete copy of this standard may be purchased from the International Safety Equipment Association.

1. The unit shall be positioned with the water nozzles between 83.8 cm (33 inches) and 114.3 cm (45 inches) from the floor and 15.3 cm (6 inches) minimum from the wall or nearest obstruction.
2. The unit shall be connected to a system capable of supplying adequate flushing fluid to meet the flow requirements of each component operating simultaneously. The supply line shall provide an uninterrupted supply of potable water at recommended minimum 0.207 megapascal (30 pounds per square inch) of flow pressure. Where the possibility of freezing conditions exists, equipment shall be protected from freezing or freeze-protected equipment shall be installed. Units shall be installed in accordance with the manufacturer's instructions and acceptable plumbing practices.
3. When the unit is installed, it shall be tested in accordance with the following procedures:
  - a. With the unit correctly connected to the water source and the valve(s) closed, visually check the piping connection for leaks.
  - b. Open the valve to the full open position. The valve shall remain open without requiring further use of the operator's hands.
  - c. With the valve in the "full on" position, measure the flushing fluid flow pattern with the use of a test gauge to determine a suitable eyewash pattern as required by ANSI standards.
  - d. Determine that both eyes can be irrigated simultaneously at a velocity low enough not to be injurious to the user.
4. Units shall be in accessible locations that require no more than 10 seconds travel time from the farthest hazard.
5. Each unit location shall be identified with a highly visible sign. The area around the eyewash unit shall be well lit.
6. Plumbed units shall be inspected annually for proper operation to ensure compliance to ANSI Z358.1 standard.

**INSTALLATION INSTRUCTIONS**

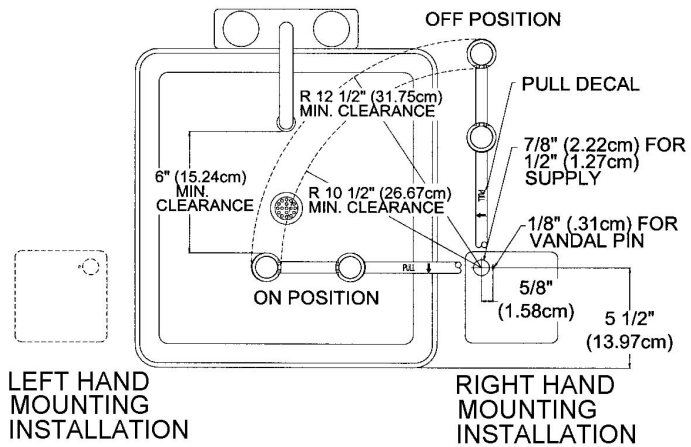
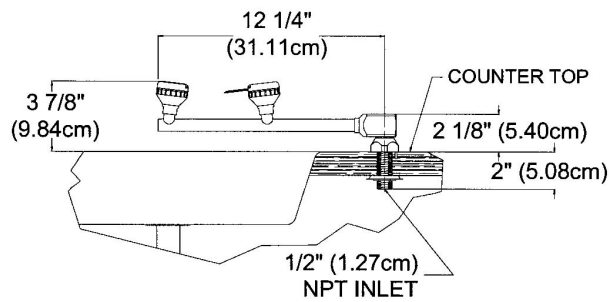
1. We recommend a shut-off valve be installed upstream of the eyewash on water supply line for future maintenance requirements.
2. A pressure regulator and/or strainer (by others) should be installed upstream of the eyewash when necessary.
3. Mark counter near sink for proposed valve location. See **Figure 1**, page 2.
4. Check for proper clearance for swing radius, height and in-use position. Alter layout dimensions if required.
5. Drill 7/8" (2.223 cm) diameter hole in counter at desired location. Use necessary precautions if drilling into an asbestos lab counter top.
6. Drill 1/8" (0.318 cm) diameter hole next to larger hole on side away from sink for vandal pin. See **Figure 1** for dimensions. NOTE: Vandal pin may be shortened or removed if necessary.
7. Place counter top template over holes. Make sure graphics show correct orientation of eyewash rotating over sink.
8. Place valve through holes in template and counter. Install washer and nut from below.  
**When tightening nut and plumbing below, be sure to hold pipe wrench on the valve base just above threads to prevent from turning. Failure to do so may damage vandal pin or valve, voiding warranty. Take precaution not to damage finish or threads.**
9. Connect water supply to ½" NPT inlet connection (under sink). Recommended min. dynamic pressure 30 psi / max. 80 psi.
10. Install PULL decal on eyewash arm top between valve and first eyewash head. Arrow on PULL decal must face the sink when the eyewash is in off position.
11. For proper operation of hinged lids, position hinges to the inside of the eyewash.
12. Test for leaks and proper water flow pattern by activating valve to open position pulling eyewash arm in the direction as indicated on decal. Install wall signage nearby in a prominent location.

**NOTE:** For left-hand installation, see complete valve orientation reversal instructions **Figure 2**, page 2 prior to counter mounting.

## OPERATION & MAINTENANCE

1. Plumbed units shall be activated weekly to flush lines and verify proper flow pattern and volume.
2. Test records should be maintained verifying compliance with testing procedures.
3. Some chemical vapors or liquids may damage or soften plastic materials. Precaution should be taken to determine compatibility prior to installation.
4. O-rings inside valve should be inspected if leakage is detected.

**FIGURE 1**

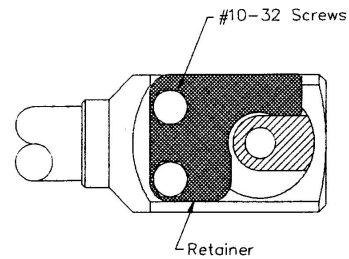


**INSTALLATION LAYOUT**

**FIGURE 2**

### Bottom View of Retainer

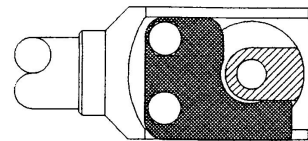
Note: Retainer shown configured for right hand use. (Factory position)



**FIGURE 3**

### Bottom View of Retainer

Note: Retainer shown configured for left hand use.



### To Change From Right Hand Orientation (Factory Supplied) To Left Hand

1. Loosen and remove two (2) 10-32 screws on bottom of valve with 5/16" (0.794 cm) open end wrench.
2. Do not pull two halves of valve apart.
3. Reverse orientation of stainless steel retainer as shown in **Figure 3**.
4. Re-install two (2) screws, check rotation, then tighten screws.
5. When installing in counter, flip counter template over so graphics are corrected for left hand use.

## TRAINING

All employees who might be exposed to hazardous material shall be instructed in the location and proper use of emergency shower and eye/facewash units. Experiences have shown that initial first-aid treatment for irritants should be to wash the eyes and face for 15 minutes prior to medical treatment. It is important to hold the eyelids open and roll the eyes so water will flow on all surfaces and in the folds surrounding the eyes.

## WARRANTY STATEMENT

ENCON HEREBY DISCLAIMS ALL WARRANTIES EXPRESSED OR IMPLIED INCLUDING BUT NOT LIMITED TO WARRANTIES OF MERCHANTABILITY, FITNESS FOR A PARTICULAR PURPOSE, AND NON-INFRINGEMENT OF THIRD-PARTY RIGHTS, EXCEPT AS HEREINAFTER PROVIDED.

Encon Safety Products warrants that for one year from the date of purchase of any Encon products, the product will be free of defects in materials and workmanship if properly used and cared for or cleaned under normal conditions in accordance with Encon's use and care instructions and properly installed, if applicable, in accordance with Encon's installation instructions. With respect to the product, Encon's only obligation and purchaser's exclusive remedy under this warranty is to repair or replace such product; provided that:

1. Encon is notified of the defect within one year of shipment, and
2. the product is determined by Encon to be defective.

Encon requires proof of original ownership as proof of warranty coverage, and Encon must receive any claim under this Limited Warranty within one year of purchase of the product.

NOTWITHSTANDING ANYTHING TO THE CONTRARY CONTAINED HEREIN, ENCON SHALL NOT BE LIABLE FOR LOSS, DAMAGE, OR EXPENSE ARISING DIRECTLY OR INDIRECTLY AS A CONSEQUENCE OF USE OF THE EQUIPMENT WITH OTHER PRODUCTS OR FROM ANY OTHER CAUSE, INCLUDING ANY CONSEQUENTIAL, INCIDENTAL, SPECIAL OR EXEMPLARY DAMAGES, EXCEPT FOR ENCON'S OBLIGATION TO REPAIR OR REPLACE DEFECTIVE PRODUCTS AS EXPRESSLY PROVIDED IN THIS STATEMENT.

Replacement parts purchased from Encon are warranted for one year following the shipment of such replacement part, or until the expiration of the warranty period for the product, whichever is less. No warranty is given in connection with products that are altered without Encon's expressed written consent. The same warranty limitations and the obligations of Encon as set out herein above shall apply to replacement parts.

Encon's total liability arising out of this warranty (including, but not limited to, warranty claims) regardless of forum and regardless of whether such action or claim is based on tort, contract or otherwise will not exceed the total purchase price of the product.



6825 W. Sam Houston Pkwy. N  
Houston, TX 77041  
1-800-AT-ENCON / 1-800-283-6266  
[customerservice@enconsafety.com](mailto:customerservice@enconsafety.com)  
<http://www.enconsafety.com>