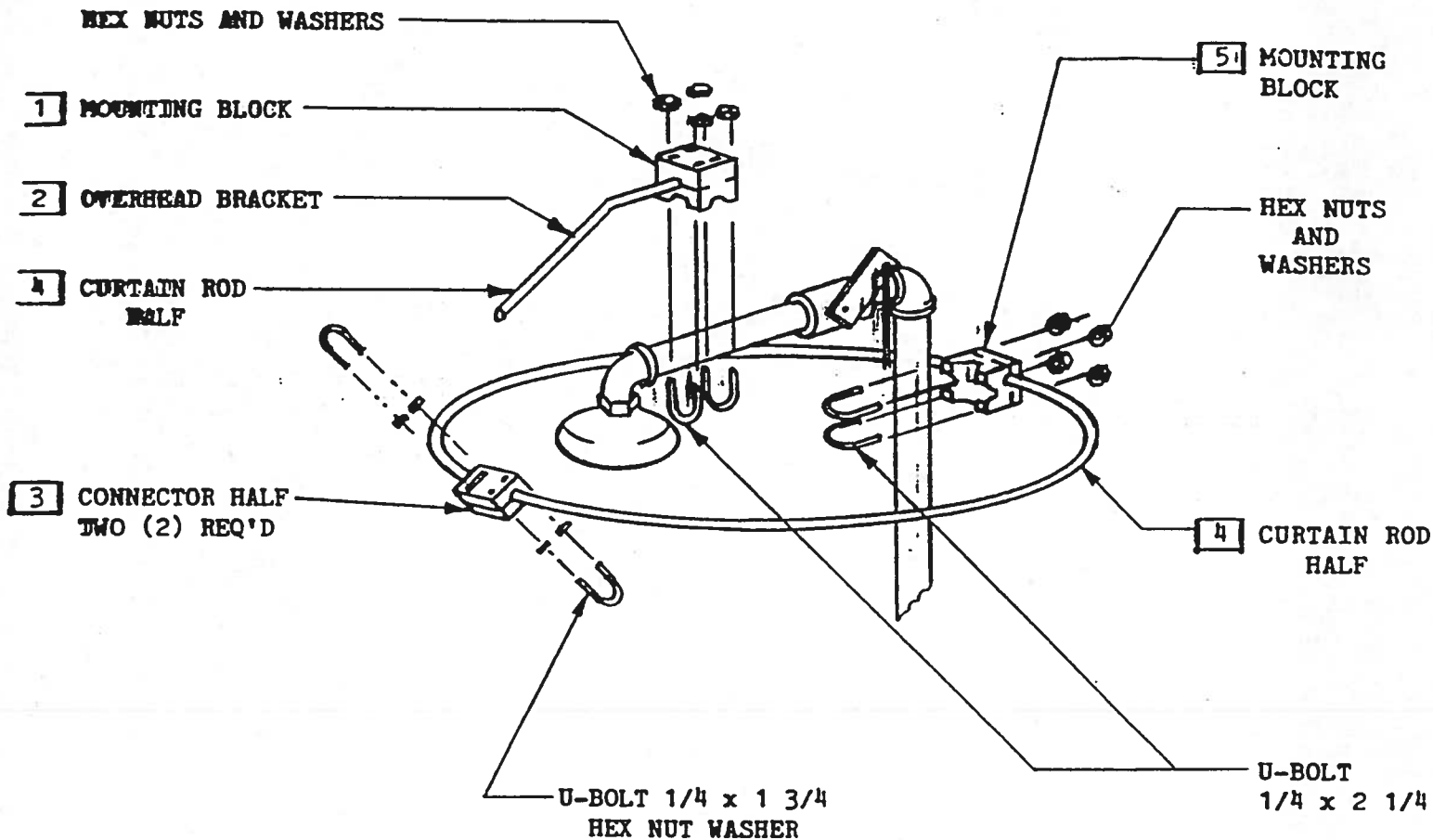


MODESTY CURTAIN

01-0521-49

INSTALLATION INSTRUCTIONS



1. CLAMP OVERHEAD BRACKET [2] TO HORIZONTAL PIPING OF SHOWER, UTILIZING MOUNTING BLOCK [1] U-BOLTS. HEX NUTS AND WASHERS. DO NOT TIGHTEN!
2. ROUGH POSITION MOUNTING BLOCK [5] AS SHOWN, UTILIZING U-BOLTS, HEX NUTS AND WASHERS DO NOT TIGHTEN!
3. INSERT TWO (2) CURTAIN ROD HALVES [4] INTO MOUNTING BLOCK [5].
NOTE: SMALL RADIUS END OF CURTAIN ROD TO BE POSITIONED AT VERTICAL PIPING OF SHOWER.
4. ASSEMBLE TWO (2) CONNECTOR HALVES [3] TO CURTAIN ROD WITH U-BOLTS, HEX NUTS AND WASHERS. DO NOT TIGHTEN!
5. RAISE FORWARD END OF CURTAIN ROD/CONNECTOR ASSEMBLY TO OVERHEAD BRACKET [2]. INSERT OVERHEAD BRACKET INTO CONNECTOR HALF ASSEMBLY.
6. SLIDE MOUNTING BLOCK [1] AND OVERHEAD BRACKET [2] TO ADJUST FOR HEIGHT AND LEVEL.
7. ADJUST MOUNTING BLOCK [5] FOR HEIGHT AND LEVEL. TIGHTEN ALL HEX NUTS!
8. ATTACH CURTAIN.

01-9999-28