

**ASSEMBLY INSTRUCTIONS/TESTING
PROCEDURES FOR STU2****PARTS LIST**

Qty	Description
1	Four Wheel Castered Dolly (Item #1)
1	Receptacle (Item #2)
1	Drain Assembly (Item #3)
1	Shower Tester (Not shown)
1	Eyewash Tester (Not shown)
1	Inspection Tags (Not shown)

SHOWER TESTING UNIT 2 (STU2) ASSEMBLY INSTRUCTIONS

1. Attach the drain assembly (item #3) to the receptacle (item #2). Remove the flange nut and one gasket from the bulkhead of the drain assembly. Insert the bulkhead/drain assembly into the hole located in the bottom of the receptacle with the drain valve to the outside. From the inside of the receptacle, attach the gasket and the flange nut. Proper installation requires one gasket on the inside and one on the outside of the wall of the receptacle. The valve should be positioned with the handle to the top. Tighten the bulkhead assembly to prevent leakage.
2. Attach the four-wheel castered dolly (item #1) to the receptacle. The dolly attaches with a twist on motion. Set the receptacle on the dolly, and twist the receptacle in a clockwise motion. The dolly will lock to the receptacle. To remove the dolly, reverse the procedure. See the assembly view on page 2.

SHOWER TESTING UNIT 1 TESTING INSTRUCTIONS

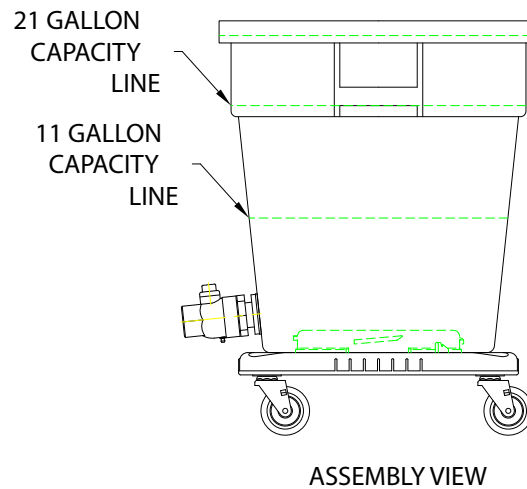
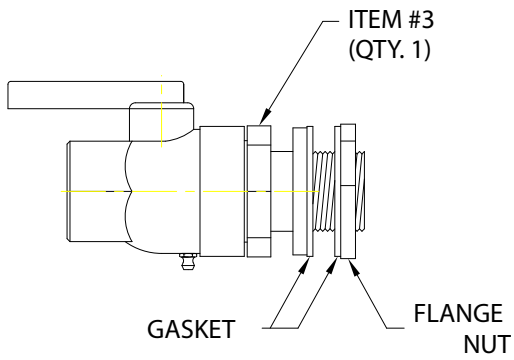
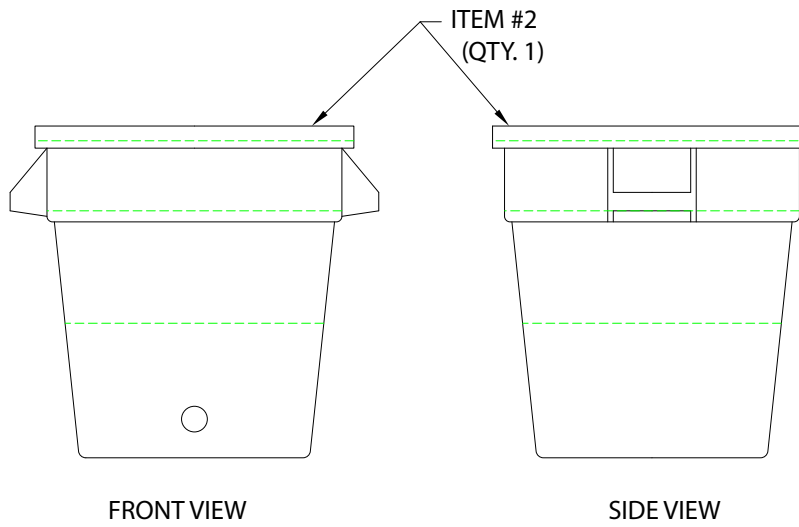
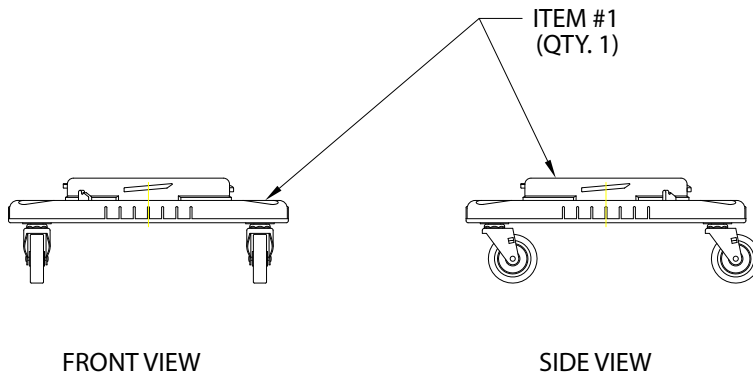
1. Secure large end of test chute with drawstring around showerhead.
2. Position the mobile receptacle cart under the shower and place the narrow end of the test chute inside of receptacle.
3. Activate shower.

20 GPM REGULATED SHOWERHEAD

1. Time activation for 30 seconds.
2. The first molded line of the receptacle represents a volume of approximately 11 gallons. Water level should be at or slightly below this line of the receptacle. This ensures the shower head is providing the minimum 20 gallon per minute (GPM) as required by ANSI Z358.1 1998.
Note: The second molded line of the receptacle represents a volume of approximately 21 gallons. You may allow the shower to run for one minute and the water level should be at or slightly below this line.
3. Empty receptacle by opening the drain valve.
Note: The receptacle will retain approximately one gallon of water. Be sure to empty remaining water or take into account on subsequent tests.
4. Record testing results on inspection tag.

30 GPM REGULATED SHOWERHEAD

1. Time activation for 20 seconds.
2. The first molded line of the receptacle represents a volume of approximately 11 gallons. Water level should be at or slightly below this line of the receptacle. This ensures the shower head is providing 30 gallon per minute (GPM) as required by ANSI Z358.1 1998.
Note: The second molded line of the receptacle represents a volume of approximately 21 gallons. You may allow the shower to run for 40 seconds and the water level should be at or slightly below this line.
3. Empty receptacle by opening the drain valve.
Note: The receptacle will retain approximately one gallon of water. Be sure to empty remaining water or take into account on subsequent tests.
4. Record testing results on inspection tag.



PROPOSITION 65

WARNING: This product can expose you to BPA, which is known to the State of California to cause birth defects or other reproductive harm. For more information go to www.P65Warnings.ca.gov.

WARRANTY STATEMENT

ENCON HEREBY DISCLAIMS ALL WARRANTIES EXPRESSED OR IMPLIED INCLUDING BUT NOT LIMITED TO WARRANTIES OF MERCHANTABILITY, FITNESS FOR A PARTICULAR PURPOSE, AND NON-INFRINGEMENT OF THIRD-PARTY RIGHTS, EXCEPT AS HEREINAFTER PROVIDED.

Encon Safety Products warrants that for one year from the date of purchase of any Encon products, the product will be free of defects in materials and workmanship if properly used and cared for or cleaned under normal conditions in accordance with Encon's use and care instructions and properly installed, if applicable, in accordance with Encon's installation instructions. With respect to the product, Encon's only obligation and purchaser's exclusive remedy under this warranty is to repair or replace such product; provided that:

1. Encon is notified of the defect within one year of shipment, and
2. the product is determined by Encon to be defective.

Encon requires proof of original ownership as proof of warranty coverage, and Encon must receive any claim under this Limited Warranty within one year of purchase of the product.

NOTWITHSTANDING ANYTHING TO THE CONTRARY CONTAINED HEREIN, ENCON SHALL NOT BE LIABLE FOR LOSS, DAMAGE, OR EXPENSE ARISING DIRECTLY OR INDIRECTLY AS A CONSEQUENCE OF USE OF THE EQUIPMENT WITH OTHER PRODUCTS OR FROM ANY OTHER CAUSE, INCLUDING ANY CONSEQUENTIAL, INCIDENTAL, SPECIAL OR EXEMPLARY DAMAGES, EXCEPT FOR ENCON'S OBLIGATION TO REPAIR OR REPLACE DEFECTIVE PRODUCTS AS EXPRESSLY PROVIDED IN THIS STATEMENT.

Replacement parts purchased from Encon are warranted for one year following the shipment of such replacement part, or until the expiration of the warranty period for the product, whichever is less. No warranty is given in connection with products that are altered without Encon's expressed written consent. The same warranty limitations and the obligations of Encon as set out herein above shall apply to replacement parts.

Encon's total liability arising out of this warranty (including, but not limited to, warranty claims) regardless of forum and regardless of whether such action or claim is based on tort, contract or otherwise will not exceed the total purchase price of the product.



6825 W. Sam Houston Pkwy. N
Houston, TX 77041
1-800-AT-ENCON / 1-800-283-6266
customerservice@enconsafety.com
<http://www.enconsafety.com>