



**ABS FOOT TREADLE KIT  
MODEL 01052382**

**ASSEMBLY AND INSTALLATION**

The following must be performed to ensure proper foot treadle operation in an emergency. With the shower mounted in its permanent position and before water supply connection (or with supply water of the station turned off), install the treadle kit as follows:

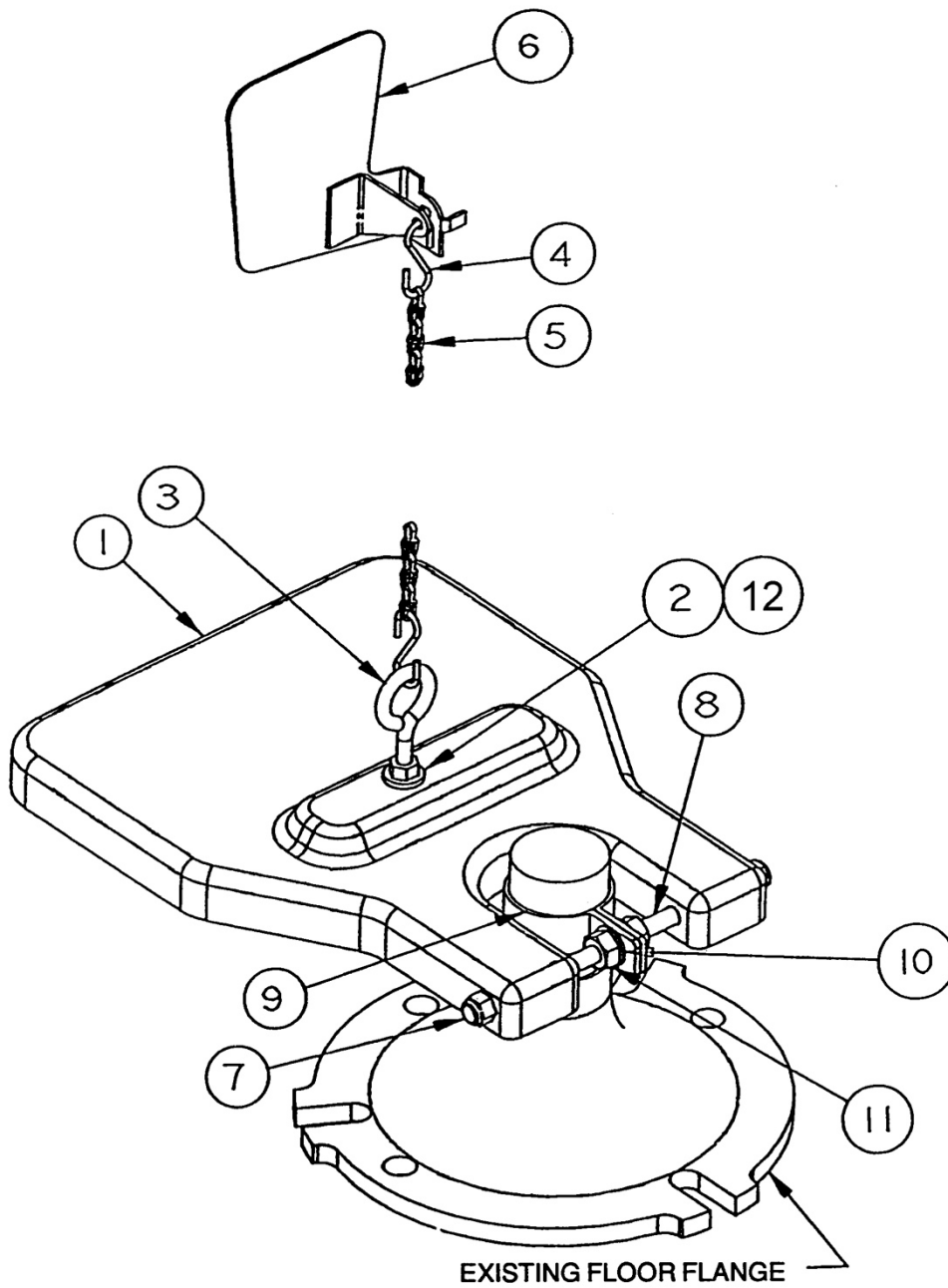
1. Refer to Component Parts List below and Figure 1 on page 2 for reference.
2. Install the eyebolt (#3) in the ABS treadle (#1) as shown with a 1/4" flat washer (#2) on each side and a 1/4" locknut (#12) on the bottom. **DO NOT TIGHTEN.**
3. Place the fence clamp (#9) around the uppermost part of the floor flange with the clamp opening at the rear.
4. Insert the 5/16" stud (#8) halfway through the holes at the rear of the treadle. Then thread a 5/16" hex nut (#11) onto the stud (inserted end). Slip a 5/16" flat washer (#10) over the stud then insert the stud through the fence clamp. Install a flat washer and hex nut onto the stud and thread both hex nuts onto the stud until the center of the stud lines up with the center of the fence clamp.
5. With the stud extended equally out of both ends of the treadle, thread a 5/16" locknut (#7) onto each end until flush with the stud.
6. With the fence clamp as high as possible on the floor flange and the stud to the rear, tighten both 5/16" hex nuts to tighten the clamp on the flange. Make sure the treadle pivots freely up and down. Adjust if necessary.
7. Install one (1) S-hook (#4) onto the eyebolt and one end of the chain (#5) onto the S-hook.
8. Remove existing eyewash push plate (if required), and install the push plate (#6) onto the eyewash ball valve. Install an S-hook (#4) onto the push plate.
9. Depress the push plate to open the ball valve. Push the treadle down until it contacts the floor. Install the chain (#5) on the push plate S-hook into a link so it is taut. Remove any excess links if necessary.
10. Make fine adjustments with the nuts on the eyebolt then tighten.
11. Connect supply water to station (or turn supply water on) and check for proper operation by pushing down onto treadle using your foot. Treadle should fully open the eyewash ball valve. Make adjustments, if required. Close ball valve using push plate.

**OPERATION & MAINTENANCE**

1. Plumbed units shall be activated weekly to flush lines and verify proper flow pattern and volume.
2. Test records should be maintained verifying compliance with testing procedures.
3. Some chemical vapors or liquids may damage or soften plastic materials. Precaution should be taken to determine compatibility prior to installation.

**COMPONENT PARTS LIST**

Item	Qty	Part No.	Description	Item	Qty	Part No.	Description
1.	1	01110158	Foot Treadle, ABS	7.	2	00011211	Locknut, 5/16-18 SST
2.	2	00011103	Washer, flat 1/4 SST	8.	1	00012781	Stud 5/16-18 x 6 1/2 SST
3.	1	00012780	Eyebolt, 1/4-20 x 2 SST	9.	1	00013118	Fence Clamp, 1 1/4 SST
4.	2	00012935	S-Hook, 1 1/2 SST	10.	2	00011107	Washer, flat 5/16 SST
5.	1	01370004	Chain, SST	11.	2	00012505	Hex Nut, 5/16-18 SST
6.	1	01110133	Push Plate w/Bracket SST	12.	1	00011201	Locknut, 1/4-20 SST



**FIGURE 1**

## PROPOSITION 65

WARNING: This product can expose you to BPA, which is known to the State of California to cause birth defects or other reproductive harm. For more information go to [www.P65Warnings.ca.gov](http://www.P65Warnings.ca.gov).

### WARRANTY STATEMENT

ENCON HEREBY DISCLAIMS ALL WARRANTIES EXPRESSED OR IMPLIED INCLUDING BUT NOT LIMITED TO WARRANTIES OF MERCHANTABILITY, FITNESS FOR A PARTICULAR PURPOSE, AND NON-INFRINGEMENT OF THIRD-PARTY RIGHTS, EXCEPT AS HEREINAFTER PROVIDED.

Encon Safety Products warrants that for one year from the date of purchase of any Encon products, the product will be free of defects in materials and workmanship if properly used and cared for or cleaned under normal conditions in accordance with Encon's use and care instructions and properly installed, if applicable, in accordance with Encon's installation instructions. With respect to the product, Encon's only obligation and purchaser's exclusive remedy under this warranty is to repair or replace such product; provided that:

1. Encon is notified of the defect within one year of shipment, and
2. the product is determined by Encon to be defective.

Encon requires proof of original ownership as proof of warranty coverage, and Encon must receive any claim under this Limited Warranty within one year of purchase of the product.

NOTWITHSTANDING ANYTHING TO THE CONTRARY CONTAINED HEREIN, ENCON SHALL NOT BE LIABLE FOR LOSS, DAMAGE, OR EXPENSE ARISING DIRECTLY OR INDIRECTLY AS A CONSEQUENCE OF USE OF THE EQUIPMENT WITH OTHER PRODUCTS OR FROM ANY OTHER CAUSE, INCLUDING ANY CONSEQUENTIAL, INCIDENTAL, SPECIAL OR EXEMPLARY DAMAGES, EXCEPT FOR ENCON'S OBLIGATION TO REPAIR OR REPLACE DEFECTIVE PRODUCTS AS EXPRESSLY PROVIDED IN THIS STATEMENT.

Replacement parts purchased from Encon are warranted for one year following the shipment of such replacement part, or until the expiration of the warranty period for the product, whichever is less. No warranty is given in connection with products that are altered without Encon's expressed written consent. The same warranty limitations and the obligations of Encon as set out herein above shall apply to replacement parts.

Encon's total liability arising out of this warranty (including, but not limited to, warranty claims) regardless of forum and regardless of whether such action or claim is based on tort, contract or otherwise will not exceed the total purchase price of the product.



6825 W. Sam Houston Pkwy. N  
Houston, TX 77041  
1-800-AT-ENCON / 1-800-283-6266  
[customerservice@enconsafety.com](mailto:customerservice@enconsafety.com)  
<http://www.enconsafety.com>