

PRODUCT DESCRIPTION

A highly visible, water-resistant, PVC coated nylon curtain used for Therma-Flow® models to provide immediate privacy.

ASSEMBLY AND INSTALLATION INSTRUCTIONS

CAUTION: CHECK FOR ADEQUATE FLOOR STRENGTH.

NOTES: 1. Floor mounting fasteners are not included.

2. Bolts (supplied by others) for floor flange should be long enough to allow at least a ½” bolt clearance for nut attachment.

Concrete: Secure the floor flange (stainless steel or galvanized steel) using four (4) expansion anchors or equal type anchors.
NOTE: If a concrete base is required ensure raised area is no more than 2” from standing level.

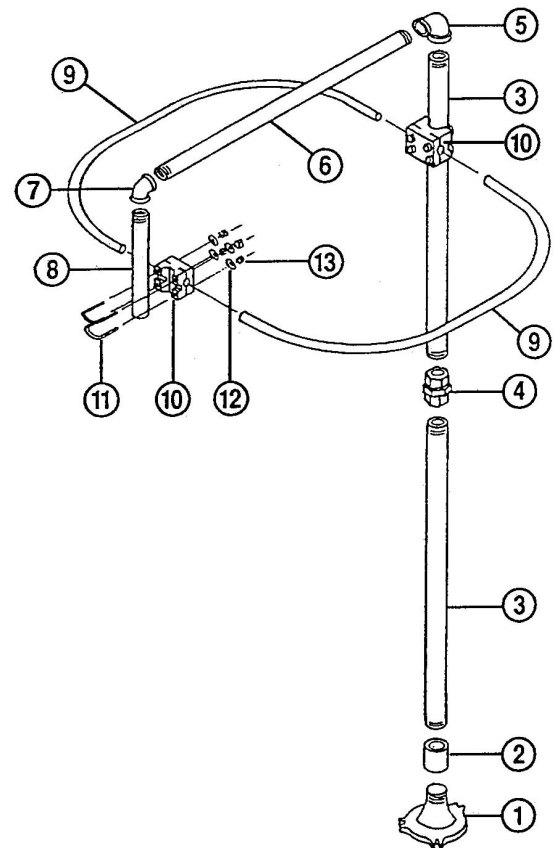
Metal: Secure floor flange using four (4) ½”-13 UNC machine bolts for **thick metal surface** (drill and tap thick metal surface) or four (4) ½”-13 bolts and nuts for **thin metal surface**.

Wood: Secure floor flange using four (4) ½” x 3” diameter lag screws.

NOTE: Horizontal and vertical pipe referenced in the instructions below relates to the *installed* orientation.

1. Read assembly instructions thoroughly prior to attempting assembly. Identify all component parts in the kit prior to assembly by laying parts out on a horizontal work surface and using Figure 1 drawing as a reference.
2. After parts identification and layout, assemble 1¼” pipe (3) to coupling (2) and floor flange (1).
3. Connect both pipes (3) with union (4).
4. Assemble pipe (3) and horizontal 1” pipe (6) with elbow (5).
5. Attach elbow (7) to horizontal (6).
6. Assemble short pipe (T.O.E.) (8) to elbow (7).
7. Insert two curtain rod halves (9) into mounting block (10).
8. Clamp mounting block (10) to 1¼” vertical pipe (3) approximately 15” below horizontal pipe (6) with U-bolts (11) [2 each block], washers (12) [4 each block] and lock nuts (13) [4 each block]. Repeat on short pipe (8).
9. Adjust clamps to allow the curtain rod to be maintained on a horizontal plane and tighten lock nuts.
10. Position curtain assembly upright next to the shower such that the shower head is in the center of the curtain rod, approximately 17” from the front mounting block (10) allowing the floor flange (1) to be positioned approximately 15” to the right or left of the shower, assuring that the shower pull rod is inside the curtain. NOTE: This location should allow 17” clearance from the center of the shower head to the curtain rod. Adjustment may be made by rotation of the upper assembly through union (4). Ensure that the curtain assembly does not interfere with shower. See Figure 2.
11. Attach the curtain assembly floor flange securely to the ground in the orientation described in Step 10.
12. Attach the curtain hooks (15) to the modesty curtain (14) [not shown].
13. Attach the curtain hooks (15) to the curtain rod (9) such that the eyewash will extend to the front through the slit in the rear of the modesty curtain. See Figure 3.
14. Verify that the modesty curtain does not interfere with the operation of the shower, eyewash or drench hose. Adjustment can be made by loosening the lock nuts (13) on the mounting blocks located on the vertical piping or the union. When not in use, tie curtain back with Velco® fastener provided on curtain, allowing open access to shower.

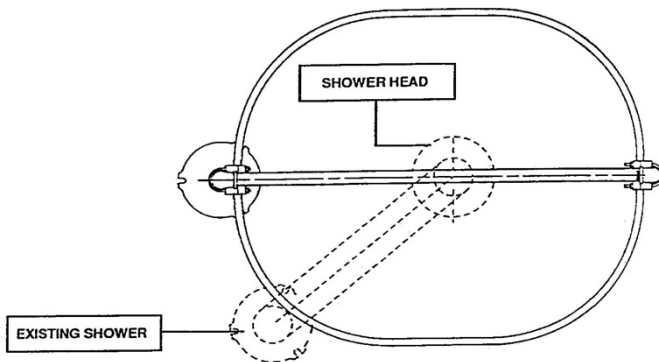
FIGURE 1



COMPONENT PARTS – See Figure 1 as reference

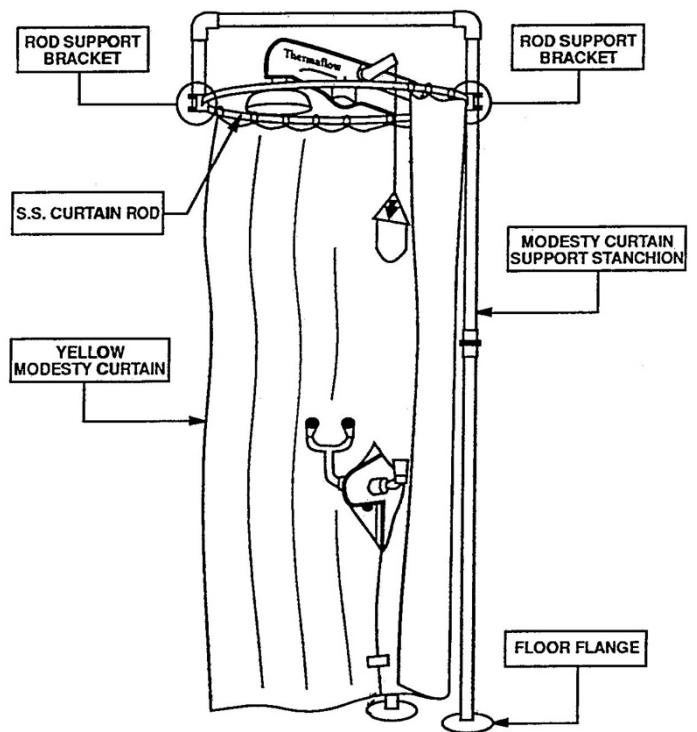
1. P/N 01110004	Floor Flange	9. P/N 01110105	Curtain Rod (2)
2. P/N 00001407	Coupling	10. P/N 01110470	Mounting Block (2)
3. Vertical Pipe, 45” (2)		11. P/N 00012904	U-Bolt (4)
4. P/N 00001206	Union	12. P/N 00011103	Flat Washer (8)
5. P/N 00014512	90° Elbow (1¼” x 1”)	13. P/N 00011201	Lock Nut (8)
6. Horizontal Pipe, 42-5/8”		14. P/N 01110439	Modesty Curtain
7. P/N 00002406	90° Elbow, 1”	15. P/N 01110447	Curtain Hooks (12)
8. Short Vertical Pipe, 16” (threaded on one end)			

**FIGURE 2
Top View of Installation**



NOTE: When not in use, curtain should be gathered around the shower support stanchion using Velcro® fasteners.

FIGURE 3



PROPOSITION 65

WARNING: This product can expose you to BPA, which is known to the State of California to cause birth defects or other reproductive harm. For more information go to www.P65Warnings.ca.gov.

WARRANTY STATEMENT

ENCON HEREBY DISCLAIMS ALL WARRANTIES EXPRESSED OR IMPLIED INCLUDING BUT NOT LIMITED TO WARRANTIES OF MERCHANTABILITY, FITNESS FOR A PARTICULAR PURPOSE, AND NON-INFRINGEMENT OF THIRD-PARTY RIGHTS, EXCEPT AS HEREINAFTER PROVIDED.

Encon Safety Products warrants that for one year from the date of purchase of any Encon products, the product will be free of defects in materials and workmanship if properly used and cared for or cleaned under normal conditions in accordance with Encon's use and care instructions and properly installed, if applicable, in accordance with Encon's installation instructions. With respect to the product, Encon's only obligation and purchaser's exclusive remedy under this warranty is to repair or replace such product; provided that:

1. Encon is notified of the defect within one year of shipment, and
2. the product is determined by Encon to be defective.

Encon requires proof of original ownership as proof of warranty coverage, and Encon must receive any claim under this Limited Warranty within one year of purchase of the product.

NOTWITHSTANDING ANYTHING TO THE CONTRARY CONTAINED HEREIN, ENCON SHALL NOT BE LIABLE FOR LOSS, DAMAGE, OR EXPENSE ARISING DIRECTLY OR INDIRECTLY AS A CONSEQUENCE OF USE OF THE EQUIPMENT WITH OTHER PRODUCTS OR FROM ANY OTHER CAUSE, INCLUDING ANY CONSEQUENTIAL, INCIDENTAL, SPECIAL OR EXEMPLARY DAMAGES, EXCEPT FOR ENCON'S OBLIGATION TO REPAIR OR REPLACE DEFECTIVE PRODUCTS AS EXPRESSLY PROVIDED IN THIS STATEMENT.

Replacement parts purchased from Encon are warranted for one year following the shipment of such replacement part, or until the expiration of the warranty period for the product, whichever is less. No warranty is given in connection with products that are altered without Encon's expressed written consent. The same warranty limitations and the obligations of Encon as set out herein above shall apply to replacement parts.

Encon's total liability arising out of this warranty (including, but not limited to, warranty claims) regardless of forum and regardless of whether such action or claim is based on tort, contract or otherwise will not exceed the total purchase price of the product.



6825 W. Sam Houston Pkwy. N
Houston, TX 77041
1-800-AT-ENCON / 1-800-283-6266
customerservice@enconsafety.com
<http://www.enconsafety.com>