

PRODUCT DESCRIPTION

Emergency Eye/Facewash assemblies with ABS Yello-Bowl™ or no bowl models designed for wall mounting.



GENERAL INFORMATION

Following are requirements of ANSI Z358.1-1998 for Emergency Eyewash and Shower Equipment. A complete copy of this standard may be purchased from the International Safety Equipment Association.

1. The unit shall be positioned with the water nozzles are 83.8 cm (33 inches) to 114.3 cm (45 inches) from the floor and 15.3 cm (6 inches) minimum from the wall or nearest obstruction.
2. The unit shall deliver flushing fluid. The supply line shall provide an uninterrupted supply of water at 0.207 megapascal (30 pounds per square inch) of flow pressure. Where the possibility of freezing conditions exists, equipment shall be protected from freezing or freeze-protected equipment shall be installed. Units shall be installed in accordance with the manufacturer's instructions and acceptable plumbing practices.
3. When the unit is installed, the valve shall be operated to determine that both eyes will be washed simultaneously at a velocity low enough not to be injurious to the user.
4. Eyewash units shall be in accessible locations that require no more than 10 seconds travel time from the hazard.
5. Each unit location shall be identified with a highly visible sign. The area around or behind the eyewash, or both, shall be painted a bright color and shall be well lighted.

OPERATION & MAINTENANCE

1. Plumbed units shall be inspected weekly for proper pattern, flow volume and minimum requirements necessary to meet ANSI Z358.1-1998 standard.
2. A monthly record should be maintained to verify compliance with testing procedures.
3. Some chemical vapors or liquids may damage or soften plastic materials. Precaution should be taken to determine compatibility prior to use.

ASSEMBLY INSTRUCTIONS

NOTE: Use thread sealant on all joints except on ABS component eyewash or facewash heads.

1. Screw eyewash or facewash head assembly onto fountain, taking care not to cross thread. Hand tighten until snug. Back off.
DO NOT OVERTIGHTEN. CAUTION: DO NOT USE THREAD SEALANTS OF ANY TYPE.
2. Attach ball valve to 1/2" NPT potable water supply line.

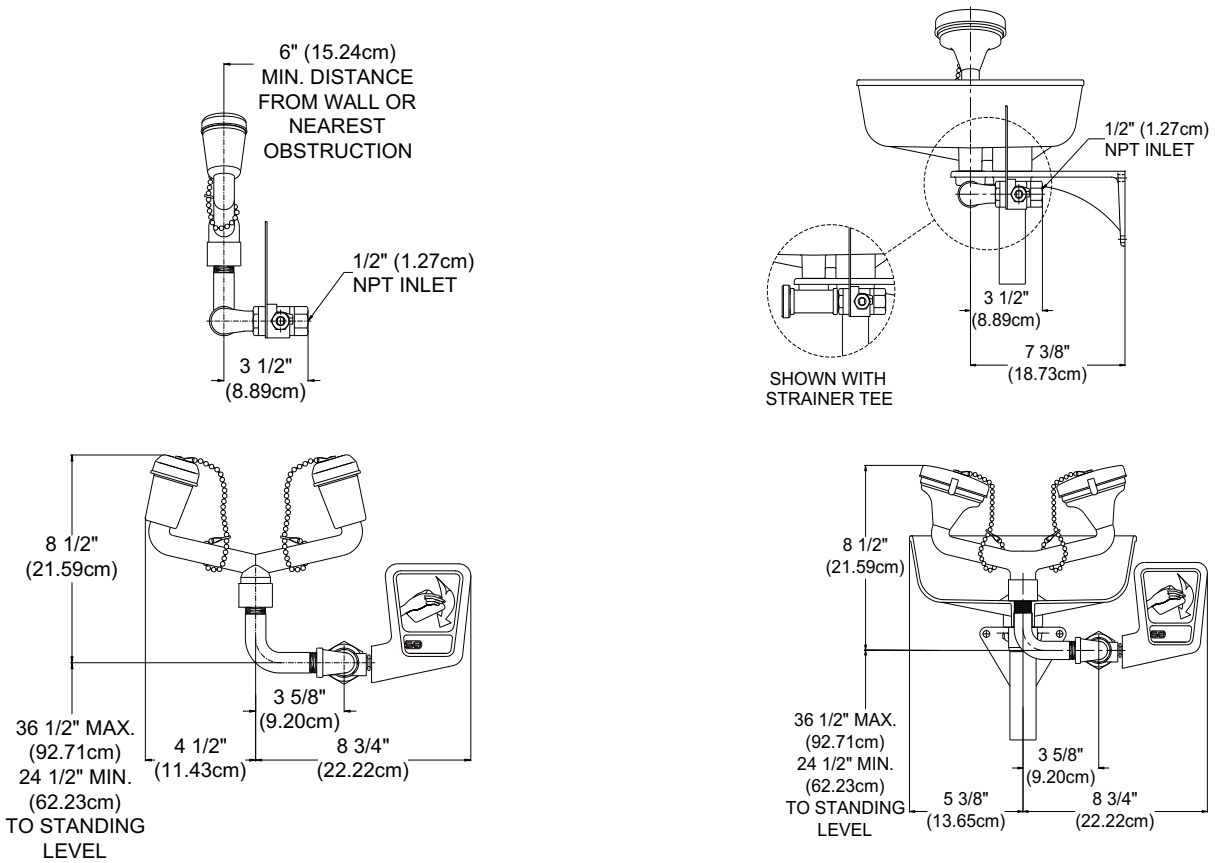
ATTACHMENT TO WALL

Concrete Block: Use three (3) ¼" toggle screws.

Concrete: Use three (3) ¼" expansion anchors or equal

Stud: Cut piece of wood (1" x 8"). Wood should be long enough to bridge between studs. Fasten wood to existing studs, then attach bracket to wood using three (3) ¼" lag screws.

CAUTION: CHECK FOR ADEQUATE WALL STRENGTH



TRAINING

All employees who might be exposed to chemical splash shall be instructed in the proper use of emergency eye/facewash units. Medical and industrial experiences have shown that initial first-aid treatment for chemical should be to wash the eyes and face for 15 minutes prior to medical treatment. It is important to hold the eyelids open and roll the eyes so water will flow on all surfaces and in the folds surrounding the eye.

SPARE PARTS LIST

Model 01052122

Eye/Facwash Dual Stream Head
ABS plastic dual stream head ABS plastic float off covers secured with stainless steel bead chains. 1/2" inlet; 8.0 grm regulation.



Model 01052123

Eyewash Dual Stream Head
ABS plastic dual stream head ABS plastic float off covers secured with stainless steel bead chains. 1/2" inlet; 3.5 grm regulation.

Model 01052133

Eye/Facwash Dual Stream Head
Chrome plated brass wye with ABS plastic heads and ABS plastic float off covers secured with stainless steel bead chains. 1/2" inlet; 8.0 grm regulation.



Model 01052132

Eyewash Dual Stream Head
Chrome plated brass wye with acetal heads and hinged covers. 1/2" inlet; 2.4 gpm regulation.

Model 01052212

Eye/Facwash Dual Stream Head
Chrome plated brass wye with acetal heads and hinged covers. Low profile designed for ABS Yello-Bowl™ with bowl covers. 1/2" inlet; 8.0 gpm regulation.



Model 01052208

Eyewash Dual Stream Head
Chrome plated brass wye with acetal heads and hinged covers. Low profile designed for ABS Yello-Bowl™ with bowl covers. 1/2" inlet; 2.4 gpm regulation.

Model 01052210

Eye/Facwash Dual Stream Head
Chrome plated brass wye with ABS plastic heads and ABS float off covers secured with stainless steel bead chains. Low profile designed for ABS Yello-Bowl™ with bowl covers. 1/2" inlet; 8.0 gpm regulation.



Model 01052101

1/2" Valve Assembly
1/2" Chrome plated bronze stay open ball valve with chrome plated ball, stainless steel push plate with graphics and self-locking nut. (Standard fountain section replacement).

Model 01052020

Eye/Facwash Float Off Cover
ABS plastic float off cover secured to 10" stainless steel bead chain. (3-3/16" ID)



Model 01052113

Eyewash Float Off Cover
ABS plastic float off cover secured to 10" stainless steel bead chain. (1-5/8" ID)

Model 01052040

Eye/Facwash Head Only
ABS plastic replacement head for chrome plated brass eye/facewash dual stream models. 1/4" UNF threaded inlet.



Model 01052045

Eyewash Head Only
Replacement acetal head with hinged cover. 1.2 gpm regulation.

Model 01110462

Yello-Bowl™
High visibility yellow ABS plastic bowl with 1-1/4" NPT drain port and 1/2" NPT water inlet. NOTE: Not interchangeable with stainless steel Bowl.



Model 01052118

Wall Bracket
Black aluminum wall bracket for ABS Yello-Bowl™ and no bowl fountains. Three mounting slots provided for sturdy wall mounting.

SPARE PARTS LIST – Continued

Model 01052018
Push Plate
Stainless steel plush plate with graphics.



Model 01052047
Push Plate with Bowl Cover Actuator
Stainless steel push plate with graphics and bowl cover actuator for fountains with bowl covers only.



Model 01110114
Drain Tube
Satin chrome plated brass 1-1/4" NPT male x 1-1/4" tube connections. Fits ABS Yello-Bowl™ and stainless steel bowl drain fittings.

Model 01110100
P-Trap Drain
Satin chrome plated brass 1-1/2" NPT x 1-1/4" tube connections. Used in conjunction with Model 01110114 drain tube for any eye/facewash with bowl.

PROPOSITION 65

WARNING: This product can expose you to BPA, which is known to the State of California to cause birth defects or other reproductive harm. For more information go to www.P65Warnings.ca.gov.

WARRANTY STATEMENT

ENCON HEREBY DISCLAIMS ALL WARRANTIES EXPRESSED OR IMPLIED INCLUDING BUT NOT LIMITED TO WARRANTIES OF MERCHANTABILITY, FITNESS FOR A PARTICULAR PURPOSE, AND NON-INFRINGEMENT OF THIRD-PARTY RIGHTS, EXCEPT AS HEREINAFTER PROVIDED.

Encon Safety Products warrants that for one year from the date of purchase of any Encon products, the product will be free of defects in materials and workmanship if properly used and cared for or cleaned under normal conditions in accordance with Encon's use and care instructions and properly installed, if applicable, in accordance with Encon's installation instructions. With respect to the product, Encon's only obligation and purchaser's exclusive remedy under this warranty is to repair or replace such product; provided that:

1. Encon is notified of the defect within one year of shipment, and
2. the product is determined by Encon to be defective.

Encon requires proof of original ownership as proof of warranty coverage, and Encon must receive any claim under this Limited Warranty within one year of purchase of the product.

NOTWITHSTANDING ANYTHING TO THE CONTRARY CONTAINED HEREIN, ENCON SHALL NOT BE LIABLE FOR LOSS, DAMAGE, OR EXPENSE ARISING DIRECTLY OR INDIRECTLY AS A CONSEQUENCE OF USE OF THE EQUIPMENT WITH OTHER PRODUCTS OR FROM ANY OTHER CAUSE, INCLUDING ANY CONSEQUENTIAL, INCIDENTAL, SPECIAL OR EXEMPLARY DAMAGES, EXCEPT FOR ENCON'S OBLIGATION TO REPAIR OR REPLACE DEFECTIVE PRODUCTS AS EXPRESSLY PROVIDED IN THIS STATEMENT.

Replacement parts purchased from Encon are warranted for one year following the shipment of such replacement part, or until the expiration of the warranty period for the product, whichever is less. No warranty is given in connection with products that are altered without Encon's expressed written consent. The same warranty limitations and the obligations of Encon as set out herein above shall apply to replacement parts.

Encon's total liability arising out of this warranty (including, but not limited to, warranty claims) regardless of forum and regardless of whether such action or claim is based on tort, contract or otherwise will not exceed the total purchase price of the product.



6825 W. Sam Houston Pkwy. N
Houston, TX 77041
1-800-AT-ENCON / 1-800-283-6266
customerservice@enconsafety.com
<http://www.enconsafety.com>