

PRODUCT DESCRIPTION

Drain Tray Assembly Kit attaches to Gravity-Fed Eyewash pivot pins. ABS plastic tray collects (without overflow) and directs spent water to a suitable container.

TRAY ASSEMBLY

1. Position hook inside tray with the opened curled end facing toward the shallow end of tray.
2. Insert screw through locator hole in tray. Pass screw through bottom curl of hook and washer. Secure with lock nut.
3. Perform procedures 1 & 2 above for both sides of drain tray assembly.
4. Drain hose can be assembled for horizontal flow or vertical flow from tray.

HORIZONTAL DRAIN FLOW: Cut 6 ft. hose to desired length. Insert barb elbow fitting into one end of the hose which was cut to length. Connect other end of the hose to drain tray stem. Select desired flow direction. Attach other hose to opposite end of the barb fitting and direct to appropriate drain area or receptacle.

Caution: Drain hose shall not rise above the stem of the drain pan to prevent overflow of pan.
The pan will not overflow when the hose is level or angled up to grade.

VERTICAL DRAIN FLOW: Attach hose to drain pan stem and direct to grade.

5. Attach drain tray via hooks (curled end facing backward) to hinge pins on gravity fed eyewash station. The drain tray assembly is now ready for use.

COMPONENT PARTS LIST

| Part# | Qty | Description |
|----------|-----|-------------|
| 00011136 | 2 | Washer 1/8" |
| 00012542 | 2 | Lock Nut |
| 00012880 | 2 | Screw |
| 01110722 | 2 | Hook |
| 01110723 | 1 | Barb 90 Ell |
| 01110728 | 1 | Drain Tray |
| 01110775 | 6' | Tubing |

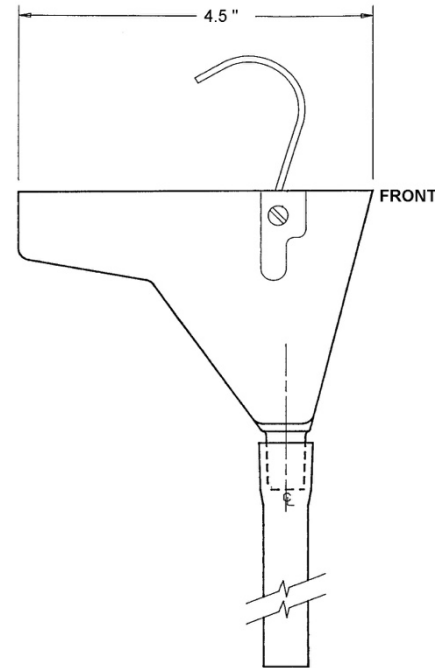


FIGURE 1 - SIDE VIEW

PROPOSITION 65

WARNING: This product can expose you to BPA, which is known to the State of California to cause birth defects or other reproductive harm. For more information go to www.P65Warnings.ca.gov.

WARRANTY STATEMENT

ENCON HEREBY DISCLAIMS ALL WARRANTIES EXPRESSED OR IMPLIED INCLUDING BUT NOT LIMITED TO WARRANTIES OF MERCHANTABILITY, FITNESS FOR A PARTICULAR PURPOSE, AND NON-INFRINGEMENT OF THIRD-PARTY RIGHTS, EXCEPT AS HEREINAFTER PROVIDED.

Encon Safety Products warrants that for one year from the date of purchase of any Encon products, the product will be free of defects in materials and workmanship if properly used and cared for or cleaned under normal conditions in accordance with Encon's use and care instructions and properly installed, if applicable, in accordance with Encon's installation instructions. With respect to the product, Encon's only obligation and purchaser's exclusive remedy under this warranty is to repair or replace such product; provided that:

1. Encon is notified of the defect within one year of shipment, and
2. the product is determined by Encon to be defective.

Encon requires proof of original ownership as proof of warranty coverage, and Encon must receive any claim under this Limited Warranty within one year of purchase of the product.

NOTWITHSTANDING ANYTHING TO THE CONTRARY CONTAINED HEREIN, ENCON SHALL NOT BE LIABLE FOR LOSS, DAMAGE, OR EXPENSE ARISING DIRECTLY OR INDIRECTLY AS A CONSEQUENCE OF USE OF THE EQUIPMENT WITH OTHER PRODUCTS OR FROM ANY OTHER CAUSE, INCLUDING ANY CONSEQUENTIAL, INCIDENTAL, SPECIAL OR EXEMPLARY DAMAGES, EXCEPT FOR ENCON'S OBLIGATION TO REPAIR OR REPLACE DEFECTIVE PRODUCTS AS EXPRESSLY PROVIDED IN THIS STATEMENT.

Replacement parts purchased from Encon are warranted for one year following the shipment of such replacement part, or until the expiration of the warranty period for the product, whichever is less. No warranty is given in connection with products that are altered without Encon's expressed written consent. The same warranty limitations and the obligations of Encon as set out herein above shall apply to replacement parts.

Encon's total liability arising out of this warranty (including, but not limited to, warranty claims) regardless of forum and regardless of whether such action or claim is based on tort, contract or otherwise will not exceed the total purchase price of the product.



6825 W. Sam Houston Pkwy. N
Houston, TX 77041
1-800-AT-ENCON / 1-800-283-6266
customerservice@enconsafety.com
<http://www.enconsafety.com>