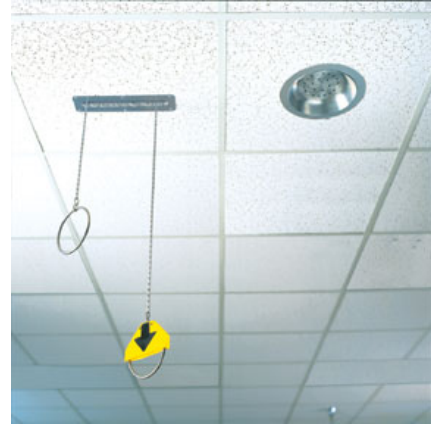


## PRODUCT DESCRIPTION

Emergency Shower Stations designed for overhead vertical or horizontal pipe mounting in areas where people may come into contact with hazardous materials.



## GENERAL INFORMATION

Following are requirements of ANSI Z358.1 for Emergency Eyewash and Shower Equipment. A complete copy of this standard may be purchased from the International Safety Equipment Association.

- 1) Unit shall be installed in accordance with the manufacturer's instructions and acceptable plumbing practices.
- 2) The height of the shower head shall be not less than 208.3 cm (82 inches) nor more than 243.8 cm (96 inches) from the surface on which the user stands.
- 3) The unit shall be connected to a system capable of supplying adequate flushing fluid to meet the flow requirements of each component operating simultaneously. The supply line shall provide an uninterrupted supply of potable water at recommended minimum 0.207 megapascal (30 pounds per square inch) of flow pressure.
- 4) Where the possibility of freezing conditions exists, equipment shall be protected from freezing or freeze-protected equipment shall be installed.
- 5) When a shower is installed, it shall be tested in accordance with the following procedures:
  - a) With the unit correctly connected to the water source and the valve(s) closed, visually check the piping connection for leaks.
  - b) Open the valve to the full open position. The valve shall remain open without requiring further use of the operator's hands.
  - c) With the valve in the "full on" position, measure the diameter of the spray pattern. It shall be a minimum of 50.8 cm (20 inches) at 152.4 cm (60 inches) above the standing surface. The center of the spray shall be at least 40.6 cm (16 inches) from any obstructions.
- 6) Shower units shall be in accessible locations that require no more than 10 seconds travel time from the farthest hazard.
- 7) Each unit location shall be identified with a highly visible sign. The area around the unit shall be well lit.
- 8) Plumbed units shall be inspected annually for proper operation to ensure compliance to ANSI Z358.1 standard.

## OPERATION & MAINTENANCE

- 1) Plumbed units shall be activated weekly to flush lines and verify proper flow pattern and volume.
- 2) Test records should be maintained verifying compliance with testing procedures.
- 3) Some chemical vapors or liquids may damage or soften plastic materials. Precaution should be taken to determine compatibility prior to installation.

## TRAINING

All employees who might be exposed to hazardous material shall be instructed in the location and proper use of emergency shower and eye/facewash units. Experiences have shown that initial first-aid treatment for irritants should be to wash the eyes and face for 15 minutes prior to medical treatment. It is important to hold the eyelids open and roll the eyes so water will flow on all surfaces and in the folds surrounding the eyes.

## SPARE PARTS LIST

P/N 01052001	Stainless Steel Pull Rod with Graphics
P/N 01054003	30 GPM ABS Shower Head
P/N 01054005	20 GPM ABS Shower Head
P/N 01055007	30 GPM Stainless Steel Shower Head
P/N 01055005	20 GPM Stainless Steel Shower Head

P/N 01052103	1¼" Valve Assembly (Horizontal flow direction)
P/N 01052115	1" Valve Assembly (Horizontal flow direction)
P/N 01052158	1¼" Valve Assembly (Vertical flow direction)
P/N 01052116	1" Valve Assembly (Vertical flow direction)
P/N 00011061	1½" Valve, corrosion resistant coating (Horizontal flow direction)

## ASSEMBLY AND INSTALLATION INSTRUCTIONS

### Overhead Showers

1. Locate overhead supply water connection (1" or 1¼").
2. Verify that the height distance of the overhead supply water connection maintains the shower head in a horizontal position (when installed) between 82" and 96" from the surface on which the user stands.

3. Connect valve to overhead supply water connection using pipe wrench and appropriate pipe sealant.

**NOTE:** For corrosion resistant coated valves, care must be taken when threading to avoid damage to coating. Do not use pipe sealant.

4. Remove cotter pin and washer from the pull rod and insert tip through the hole at the end of the shower actuator arm. Tip of pull rod should be on the actuator arm side closest to the overhead piping. Re-attach washer and cotter pin to secure pull rod.

5. Thread ABS yellow shower head, taking care not to cross thread. **Hand tighten until snug. DO NOT OVER TIGHTEN. Do not use a pipe wrench.** Pipe sealant or tape is not required or recommended.

For stainless steel shower head, thread using pipe wrench and appropriate pipe sealant.

6. Test unit for leaks and for proper water flow pattern by activating valve using actuation graphic pull ring.

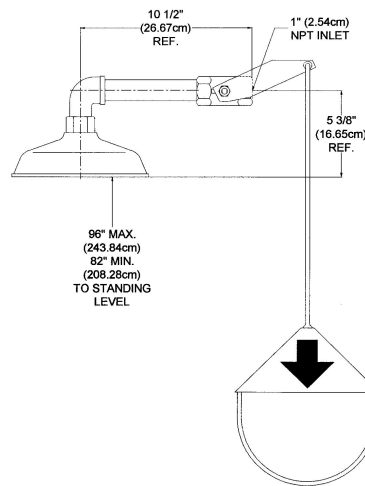
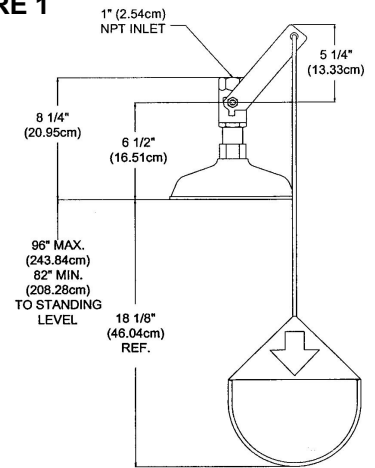


FIGURE 1



### Ceiling Recessed Showers

1. Locate 1" overhead supply water connection. A 5" clearance above the overhead supply water pipe is required to allow actuator arm to fully extend.
2. Verify the overhead supply water connection is 9" above ceiling.
3. Connect overhead shower assembly to 1" supply water pipe using pipe wrench and appropriate pipe sealant.
4. When threaded to supply pipe, measure 25" from inlet connection to centerline of shower head and mark ceiling to identify shower head mounting hole location.

5. Measuring from centerline of shower head, mark and carefully cut an 8½" diameter hole in ceiling to accommodate shower head and trim ring.
6. Thread stainless steel shower head with trim ring to 1" nipple using pipe wrench and appropriate pipe sealant.
7. Measuring from centerline of ball valve stem, mark and carefully cut hole in ceiling 1½" in width x 10¾" in length for "ON" & "OFF" chains.

**NOTE:** Length of hole should run vertically with overhead water supply pipe. Centerline of hole should measure 23 5/16" from centerline of shower head.

8. Attach "ON" & "OFF" chains to actuator arm.

**NOTE:** Graphic "ON" pull ring should be between shower head and smaller "OFF" pull ring.

9. Install escutcheon plate into hole.
10. Test unit for leaks and for proper water flow pattern by activating valve using actuation graphic "ON" pull ring.

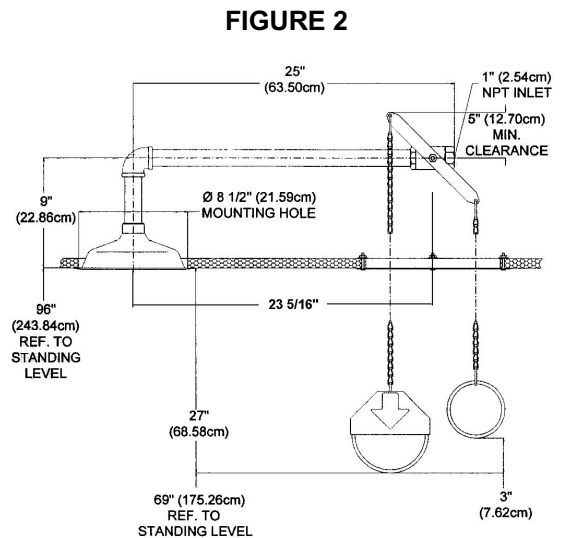


FIGURE 2

## PROPOSITION 65

WARNING: This product can expose you to BPA, which is known to the State of California to cause birth defects or other reproductive harm. For more information go to [www.P65Warnings.ca.gov](http://www.P65Warnings.ca.gov).

## WARRANTY STATEMENT

ENCON HEREBY DISCLAIMS ALL WARRANTIES EXPRESSED OR IMPLIED INCLUDING BUT NOT LIMITED TO WARRANTIES OF MERCHANTABILITY, FITNESS FOR A PARTICULAR PURPOSE, AND NON-INFRINGEMENT OF THIRD-PARTY RIGHTS, EXCEPT AS HEREINAFTER PROVIDED.

Encon Safety Products warrants that for one year from the date of purchase of any Encon products, the product will be free of defects in materials and workmanship if properly used and cared for or cleaned under normal conditions in accordance with Encon's use and care instructions and properly installed, if applicable, in accordance with Encon's installation instructions. With respect to the product, Encon's only obligation and purchaser's exclusive remedy under this warranty is to repair or replace such product; provided that:

1. Encon is notified of the defect within one year of shipment, and
2. the product is determined by Encon to be defective.

Encon requires proof of original ownership as proof of warranty coverage, and Encon must receive any claim under this Limited Warranty within one year of purchase of the product.

NOTWITHSTANDING ANYTHING TO THE CONTRARY CONTAINED HEREIN, ENCON SHALL NOT BE LIABLE FOR LOSS, DAMAGE, OR EXPENSE ARISING DIRECTLY OR INDIRECTLY AS A CONSEQUENCE OF USE OF THE EQUIPMENT WITH OTHER PRODUCTS OR FROM ANY OTHER CAUSE, INCLUDING ANY CONSEQUENTIAL, INCIDENTAL, SPECIAL OR EXEMPLARY DAMAGES, EXCEPT FOR ENCON'S OBLIGATION TO REPAIR OR REPLACE DEFECTIVE PRODUCTS AS EXPRESSLY PROVIDED IN THIS STATEMENT.

Replacement parts purchased from Encon are warranted for one year following the shipment of such replacement part, or until the expiration of the warranty period for the product, whichever is less. No warranty is given in connection with products that are altered without Encon's expressed written consent. The same warranty limitations and the obligations of Encon as set out herein above shall apply to replacement parts.

Encon's total liability arising out of this warranty (including, but not limited to, warranty claims) regardless of forum and regardless of whether such action or claim is based on tort, contract or otherwise will not exceed the total purchase price of the product.



6825 W. Sam Houston Pkwy. N  
Houston, TX 77041  
1-800-AT-ENCON / 1-800-283-6266  
[customerservice@enconsafety.com](mailto:customerservice@enconsafety.com)  
<http://www.enconsafety.com>