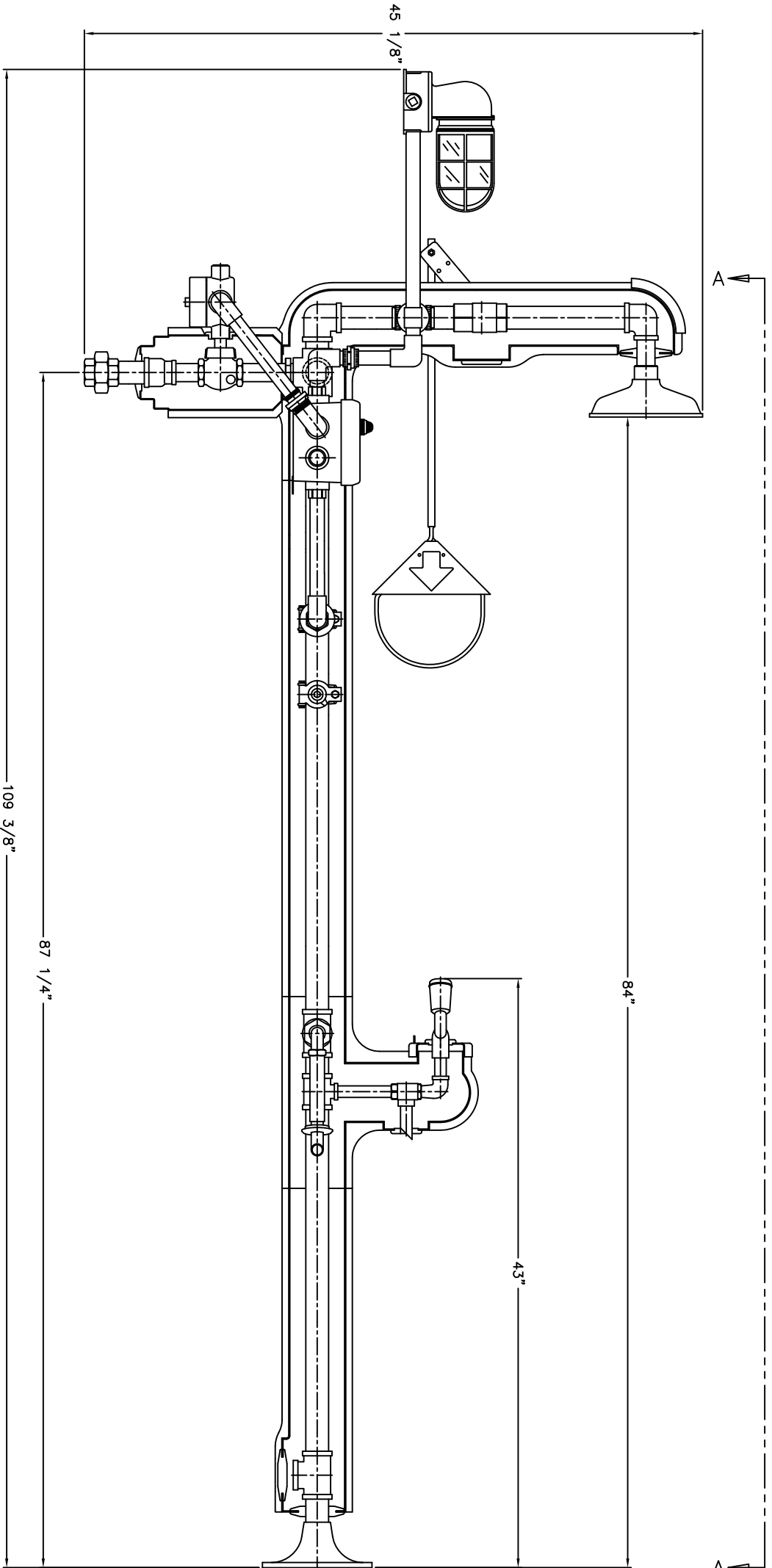
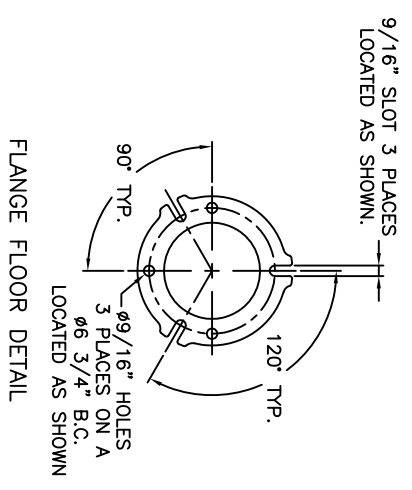


VIEW A-A
FRONT VIEW



Encon SAFETY PRODUCTS 8825 W. SUE ROBERTSON PARKWAY N. HOUSTON, TEXAS 77044 PHONE: (713) 466-1449 FAX: (713) 466-1819		STANDARD TOLERANCES UNLESS OTHERWISE SPECIFIED XXX DECIMALS ±.005 FRACTIONS ± 1/32" XX DECIMALS ±.015 RADIUS CORNERS 1/16" X DECIMALS ±.030 BREAK ALL EDGES .010/.015 ANGLES ± 1°		SPECIAL NOTES: NEMA4 120 VOLT	
THIS DRAWING & ALL INFORMATION CONTAINED HEREIN IS THE SOLE & EXCLUSIVE PROPERTY OF ENCON SAFETY PRODUCTS CO. REPRODUCTION IN WHOLE OR IN PART WITHOUT THE EXPRESSED WRITTEN AUTHORIZATION FROM ENCON IS FORBIDDEN.		SPECIAL TOLERANCES:		BY: VGR/FTTH DATE: 07-05-05 TITLE: FLOW 120V W/EYEWASH CHK.: DATE: 30GPM, 1-1/2NPT, GRN TOP AREA LGT. APP.: DATE: HTL-FRZ/SC VALVE FLO SW(TOP) M.C.: DATE: PDR: TF1445303101 ERF#: SHEET #: 1 SCALE: 3/16 DWG. #: TF1445303101 REV.: A	