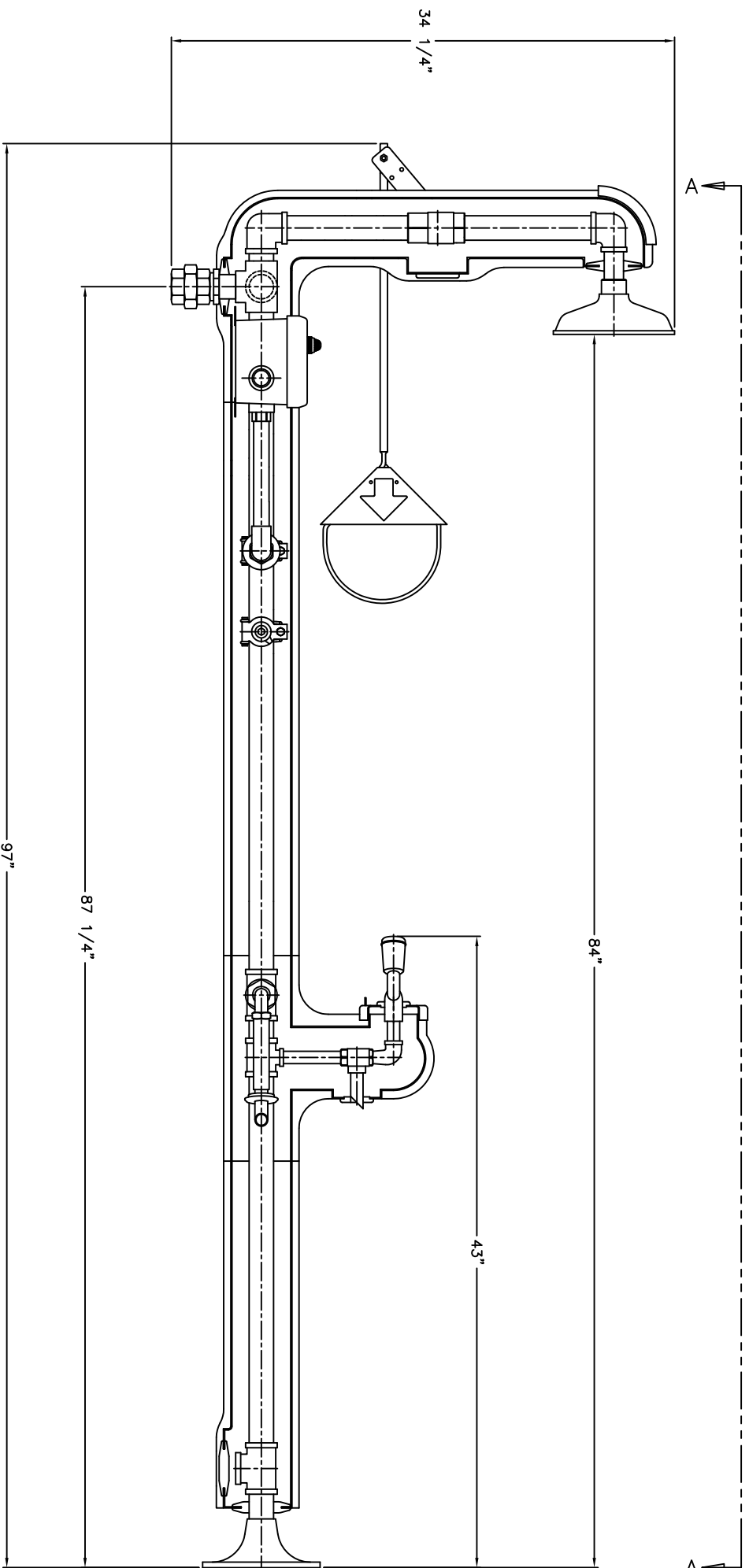
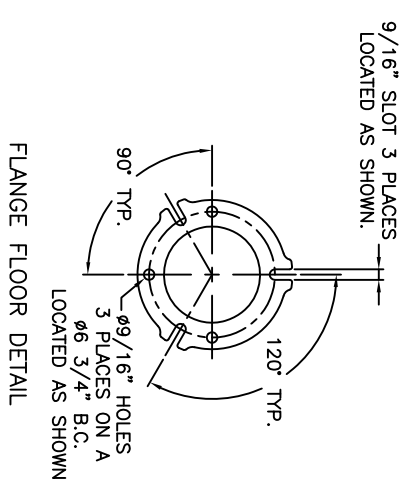


VIEW A-A  
FRONT VIEW



<b>Engoon</b> SAFETY PRODUCTS 8825 W. SUE ROBERTSON PARKWAY N. HOUSTON, TEXAS 77044 PHONE: (713) 466-1449 FAX: (713) 466-1819		STANDARD TOLERANCES UNLESS OTHERWISE SPECIFIED XX DECIMALS ±.005 FRACTIONS ± 1/32" X DECIMALS ±.015 RADIUS CORNERS 1/16" ANGLES ± 1° BREAK ALL EDGES 010/015	
THIS DRAWING & ALL INFORMATION CONTAINED HEREIN IS THE SOLE & EXCLUSIVE PROPERTY OF ENGOON SAFETY PRODUCTS CO. REPRODUCTION IN WHOLE OR IN PART WITHOUT THE EXPRESSED WRITTEN AUTHORIZATION FROM ENGOON IS FORBIDDEN.		SPECIAL NOTES: CLASS 1 DW. 2 GRP. A,B,C,D CLASS 2 DW. 2 GRP. G 120 VOLT	
BY: VRG	DATE: 9/9/11	TITLE: FLOW 120V W/EYEWASH	
CHK: N/A	DATE: N/A	309PM,1-1/2NPT,FRZ/SC VALVE,	
APP: N/A	DATE: N/A	10' X-CB1 YEL ABS CVR	
M.C.: N/A	DATE: N/A		
EFF#: N/A			
SHEET # 1	SCALE: 3/16	PDR: TF34423000A0	REV: A
		DWG. #: TF34423000A0	