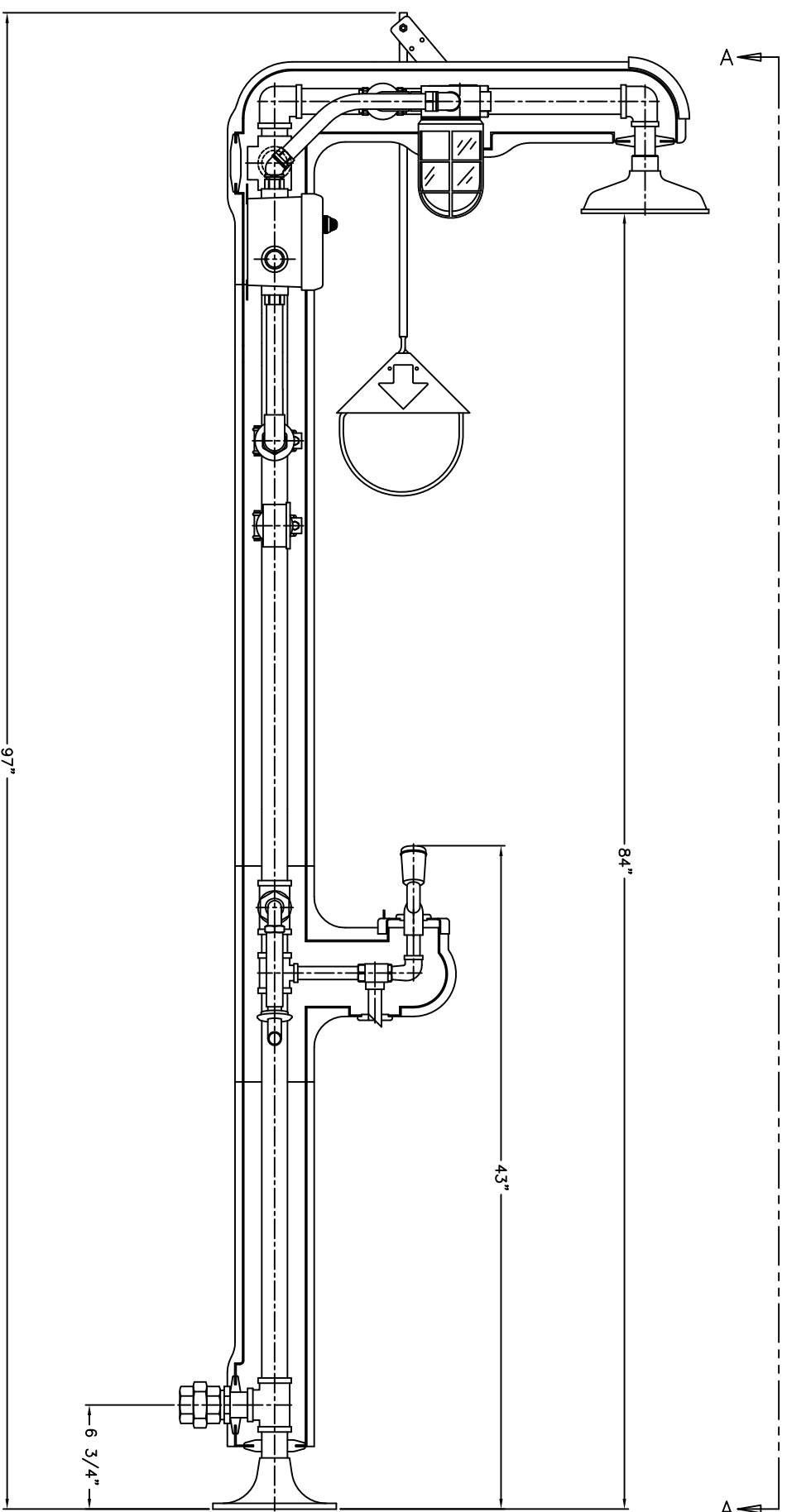
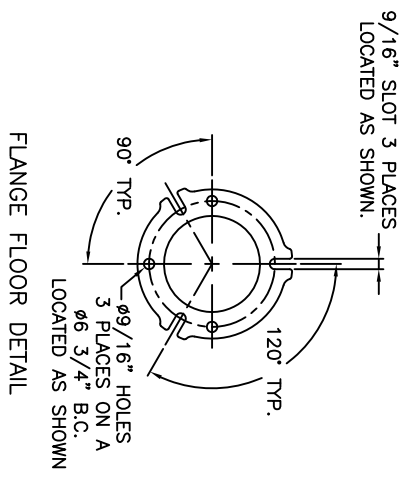


VIEW A-A
FRONT VIEW



Engoon SAFETY PRODUCTS 8825 W. SUE ROBERTSON PARKWAY N. HOUSTON, TEXAS 77044 PHONE: (713) 466-1449 FAX: (713) 466-1819		STANDARD TOLERANCES UNLESS OTHERWISE SPECIFIED XXX DECIMALS ±.005 FRACTIONS ± 1/32" XX DECIMALS ±.015 RADIUS CORNERS 1/16" X DECIMALS ±.030 ANGLES ± 1° BREAK ALL EDGES 010/015	
THIS DRAWING & ALL INFORMATION CONTAINED HEREIN IS THE SOLE & EXCLUSIVE PROPERTY OF ENGOON SAFETY PRODUCTS CO. REPRODUCTION IN WHOLE OR IN PART WITHOUT THE EXPRESSED WRITTEN AUTHORIZATION FROM ENGOON IS FORBIDDEN.		SPECIAL NOTES: CLASS 1 DIV. 2 GRP. A,B,C,D CLASS 2 DIV. 2 GRP. 6 120 VOLT	
BR: VRG CHK: N/A APP: N/A M.C.: N/A ERF#: N/A SHEET #: 1 OF 3	DATE: 5/29/08 DATE: N/A DATE: N/A DATE: N/A	TITLE: FLOW 120V W/EYEWASH 306PM,1-1/2NPT,GRN SIDE AREA LGT, HTI,IMR,FRZ/SC,YEL ABS CVR PDI: TF3544703000 DWG. #: TF3544703000	REV.: A