

Encon[®]
SAFETY PRODUCTS

1-800-283-6266

Phone: (713) 466-1449 Fax: (713) 466-1703
E-Mail: customerservice@enconsafety.com



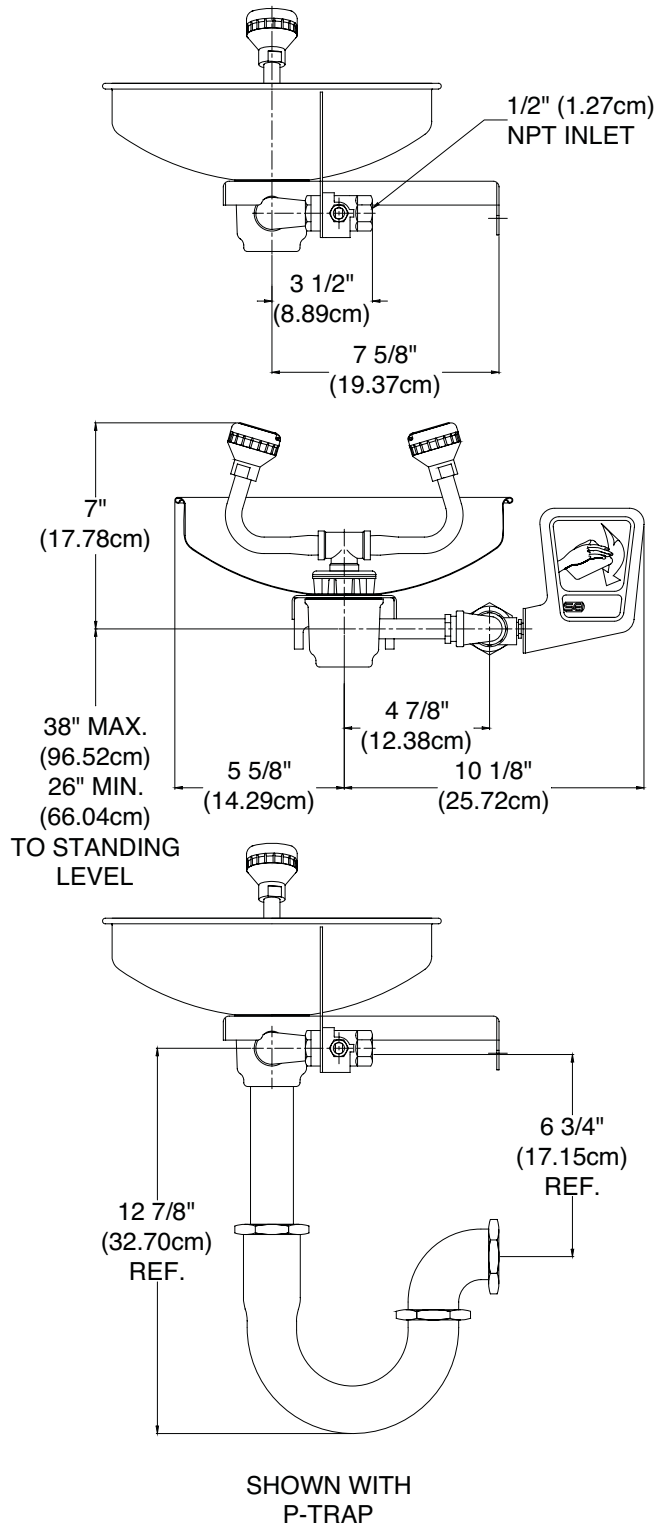
EYEWASH W/STAINLESS STEEL BOWL PART NUMBER: 01045001

SPECIFICATION:

Third party certified to ANSI Z358.1, the eyewash shall deliver 2.4 gpm (9.1 lpm) @ 30/70 psi (206.8/482.6 kPa) of flowing pressure. Unit shall provide a non-injurious stream of water for 15 minutes or longer. Unit shall be supplied with 1/2" chrome plated (CP) single motion activation stay open ball valve with CP ball. Eyewash shall include stainless steel (SS) actuator with actuation graphic, 7" X 11" (17.8cm X 27.9cm) sign and SS wall mounting bracket. Unit must be supplied with self-adjusting 2.4 gpm (9.1 lpm) regulator to assure a constant and even dual stream flow pattern under 30/70 psi (206.8/482.6 kPa) hydraulic conditions. Eyewash heads with integral hinged covers to be manufactured of solvent resistant acetal mounted on chrome plated brass wye in a type 304 SS bowl. Eyewash covers are provided to inhibit dust and/or contamination when not in use. Eyewash units with deteriorating screens/filters are not acceptable. Eyewash shall be Encon Safety Products Model 01045001. If optional 1 1/4" p-trap required, unit shall be Model 01045010.

MATERIALS OF CONSTRUCTION:

- PIPING:** Chrome plated brass.
- VALVE:** 1/2" Chrome plated bronze stay open ball valve with chrome plated ball, stainless steel valve stem and stainless steel push plate with actuation graphic.
- EYEWASH HEAD:** Acetal dual stream heads with integral hinged covers and chrome plated brass wye assembly.
- BOWL:** Type 304 stainless steel bowl with S/S wall mount bracket
- REGULATOR:** Self-adjusting (2) 1.2 gpm (4.5 lpm) regulators.
- SUPPLY:** 1/2" NPT
- WASTE:** 1/4" NPT (1/4" tailpiece and p-trap optional).
- P-TRAP OPTION:** 1/4" Satin BCP
- WEIGHT:** 9 lbs (4.08 kgs)



	MODEL #	DESCRIPTION
<input type="checkbox"/>	01045001	Unit as Described
<input type="checkbox"/>	01045010	Unit with 1 1/4" P-trap

Doc. No: 01045001.2
Issue Date: 06/01/04
Sec: Eyewashes