

**Encon**<sup>®</sup>  
**SAFETY PRODUCTS**  
**1-800-283-6266**  
 phone: (713) 466-1449  
 email: customerservice@enconsafety.com

**SUPPLY PIPE MOUNT  
 EYE/FACEWASH  
 WITH STAINLESS STEEL BOWL  
 PART NUMBER: 01045005**

**SPECIFICATION:**

Third party certified to ANSI Z358.1, the eyewash shall deliver 2.4 gpm (9.1 lpm) @ 30/70 psi (206.8/482.6 kPa) of flowing pressure. Unit shall provide a non-injurious stream of water for 15 minutes or longer. Unit shall be supplied with ½” chrome plated (CP) single motion activation stay open ball valve with CP ball. Eyewash shall include S/S actuator with actuation graphic, 7” X 11” (17.8 cm X 27.9 cm) sign. Unit must be supplied with self-adjusting 2.4 gpm (9.1 lpm) regulator to assure a constant and even dual stream flow pattern under 30/70 psi (206.8/482.6 kPa) hydraulic conditions. Eyewash heads with integral hinged covers to be manufactured of solvent resistant acetal mounted on a CP brass wye in a type 304 SS bowl. Eyewash covers are provided to inhibit dust and/or contamination when not in use. Eyewash units with deteriorating screens/filters are not acceptable.

**\*Note:** Where hazardous materials that are injurious to the skin are used, a proper eyewash or eye/facewash installation with an emergency shower should be considered.

**MATERIALS OF CONSTRUCTION:**

**VALVE:** ½” chrome plated bronze stay open ball valve with chrome plated ball, stainless steel valve stem and stainless steel push plate with actuation graphic.

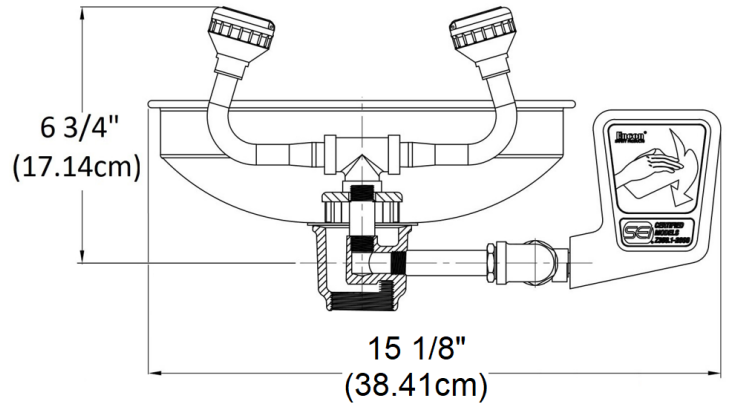
**EYEWASH HEAD:** Acetal dual stream heads with integral hinged covers and chrome plated brass wye assembly.

**BOWL:** Type 304 stainless steel.

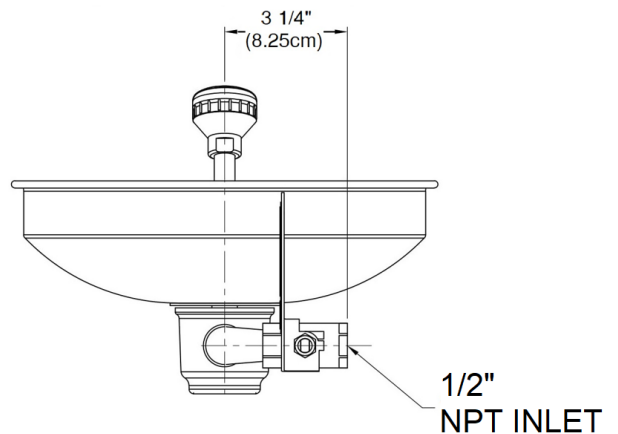
**REGULATOR:** Self-adjusting (2) 1.2 gpm (4.5 lpm) regulators.

**SUPPLY:** ½” NPT

**WEIGHT:** 4 lbs (1.81 kg)



FRONT VIEW



SIDE VIEW