

Encon[®]
SAFETY PRODUCTS
1-800-283-6266
 phone: (713) 466-1449
 email: customerservice@enconsafety.com

**VERTICAL SHOWER W/
 S/S SHOWER HEAD**
PART NUMBER: 01053002SS

SPECIFICATION:

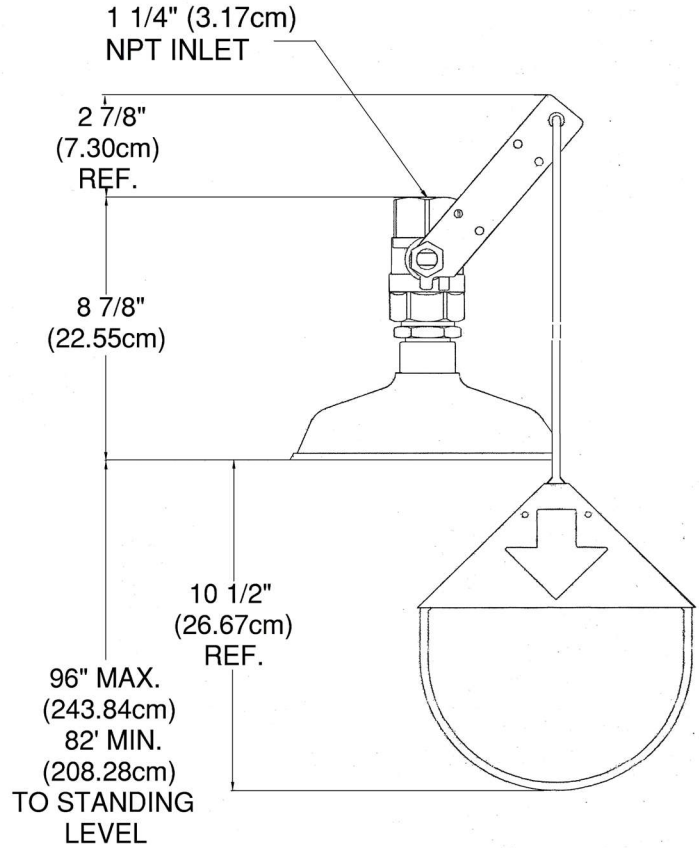
Third party certified to ANSI Z358.1, the shower shall deliver 30 gpm (113.6 lpm) @ 30/70 psi (206.8/482.6 kPa) of flowing pressure. Shower shall provide a non-injurious stream of water for 15 minutes or longer. Unit shall be supplied with 1 1/4" chrome plated (CP) bronze single motion activation stay open ball valve with CP ball, SS actuator with actuation graphic, CP brass piping and 1 1/4" supply connection. Shower head shall be supplied with self-adjusting 30 gpm (113.6 lpm) regulator to assure constant flow and pattern under 30/70 psi (206.8/482.6 kPa) hydraulic conditions. Shower head to be manufactured of UV resistant high visibility yellow ABS plastic. Shower head must deliver a minimum of 20" (50.8 cm) diameter pattern to the target area 60" (152.4 cm) above standing level. Shower units that provide improper flow pattern are not acceptable.

Encon Safety Products Model 01053002 includes vertical shower unit.

Encon Safety Products Model 01053005 includes vertical shower unit with stainless steel valve.

Encon Safety Products Model 01053002SS includes vertical shower unit with 304 stainless steel shower head.

***Note:** Where hazardous materials that are injurious to the skin are used, a proper eyewash or eye/facewash installation with an emergency shower should be considered.



MATERIALS OF CONSTRUCTION:

PIPING: Chrome plated brass.

VALVES: 1 1/4" chrome plated bronze stay open ball valve with chrome plated ball, stainless steel valve stem and stainless pull rod assembly with actuation graphic.

HEAD: Yellow ABS plastic shower head. Option: Type 304 stainless steel shower head.

REGULATOR: Self-adjusting 30 gpm (113.6 lpm) regulator.

SUPPLY: 1 1/4" NPT

WEIGHT: 11 lbs (4.98 kgs)