



1-800-283-6266

Phone: (713) 466-1449 Fax: (713) 466-1703

E-Mail: customerservice@enconsafety.com

SST SHOWER HEAD PART NUMBER: 01055005

SPECIFICATION:

Shower head shall provide a non-injurious stream of water when mounted 96”(243.84cm) to 82”(208.28cm) from standing level. Shower head shall be supplied with self-adjusting 20 gpm (75.7 lpm) regulator to assure a constant flow and pattern under 30/70 psi (206.8/482.6 kPa) hydraulic conditions. Shower head to be manufactured of type 304 stainless steel. Shower head shall deliver a minimum of 20”(50.8 cm) diameter pattern to the target area 60”(152.4 cm) above standing level. Shower units that provide improper flow pattern are not acceptable. Shower unit shall be Encon Safety Products Model 01055005. For optional 30 gpm (113.6 lpm) showerhead, unit shall be Encon Safety Products Model 01055007.

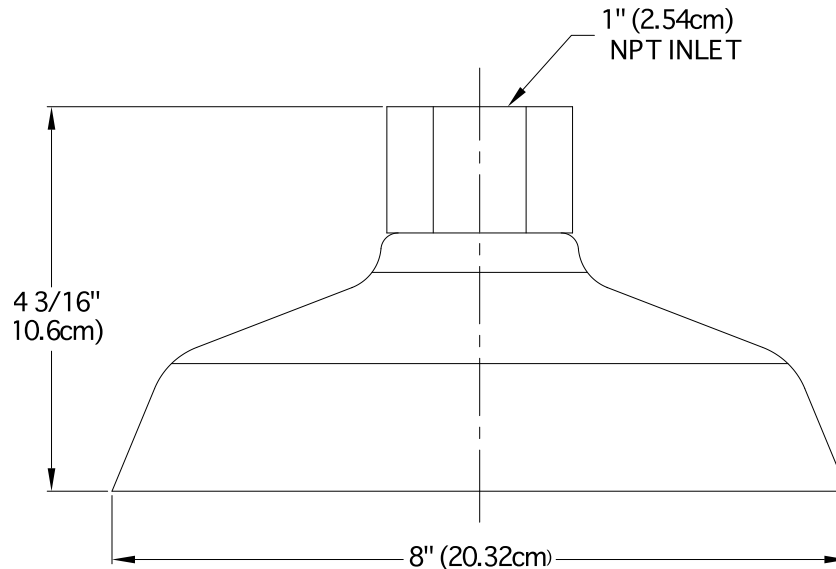
MATERIALS OF CONSTRUCTION:

SHOWERHEAD: 304 Stainless Steel.

REGULATOR: Self-adjusting 20 gpm (75.7 lpm) regulator.

SUPPLY: 1” NPT

WEIGHT: 2.5 lbs (1.13 kgs)



	MODEL #	DESCRIPTION
<input type="checkbox"/>	01055005	As Specified
<input type="checkbox"/>	01055007	As Specified except 30 gpm flow rate

Doc. No: 01055005.1

Issue Date: 04/26/06

Sec: Showers/Combinations

© 2006 Encon Safety Products

Visit our website: www.enconsafety.com